

HAYWARD BASKET STRAINER - PVC-U, PVC-C, PPGF DN15 (1/2") to DN100 (4") WITH SOCKET AND FLANGES - PVC-U, PVC-C DN150 (6") to DN200 (8") WITH FLANGES



DN50 – PVC-C



DN50 – PVC-U



DN50 - PPGF



DN200 – PVC-U

MAIN FEATURES

- Available in PVC, CPVC, GFPP and Eastar®
- True Union Design
- Ergonomic Hand-Removable Cover
- In-Line or Loop Connections
- External Cover Threads
- Integral Flat Mounting Bases
- PVC or CPVC Baskets Standard and PP for PPGF version
- NSF / ANSI 61 and NSF / ANSI 372 listed (PVC-U and PVC-C only)
- To protect your valves, sensors and pumps from pollutants, we recommend the use of a sieve mesh. This ensures a reliable functioning and a long lifespan of your components.
- Reduced dimensions (compared to a Y-strainer in the same dimension)
- Removal of the basket from the top of the filter
- Flange according to DIN EN 1092-1, DIN 2501 / PN 10 or ASME B16.5 class 150

STANDARDS & APPROVALS



Standard NSF/ANSI 61 « Drinking water systems components - Health effects » (health effects of drinking water circuit components). NSF / ANSI Standard 61 Establishes minimum health effects requirements for the chemical contaminants and impurities that are indirectly imparted to drinking water from products, components, and materials used in drinking water systems.

Les descriptions et caractéristiques figurant sur ce document sont données uniquement à titre d'information et non d'engagement contractuel. SAFI se réserve le droit d'effectuer sans préavis, toute modification.

SAFI has a policy of continuously developing its product range and the above data is subject to change without prior notification.

Die Beschreibungen und Daten, die sich auf diesem Dokument befinden, sind rein informativ und unverbindlich. SAFI behält sich vor, ohne Vorankündigung Änderungen vorzunehmen, die als technisch notwendig erachtet werden.

Las descripciones y características que figuran en este documento son indicativas. En ningún caso son contractuales. SAFI se reserva el derecho sin previo aviso de efectuar cualquier modificación.

SAFI

Av. Jacques Moison – BP 1
26770 TAULIGNAN
FRANCE
Tél.: (+33) 04 75 53 56 29
Fax : (+33) 04 75 53 62 78
info@safi-valves.com

SAFI Limited

35 Holton Road
Holton Heath Trading Park
POOLE Dorset - BH16 6LT
UNITED KINGDOM
Tél.: (+44) 1202 624618
Fax : (+44) 1202 628500
sales@safi-valves.com

SAFI Deutschland

Kunststoffarmaturen
Vertriebs GmbH
Jahnstrasse 29
64319 PFUNGSTADT
DEUTSCHLAND
Tél. : (+49) 61 57 81 919
Fax : (+49) 61 57 82 025
info-deutschland@safi-valves.com

SAFI Fábrica de Válvulas

C/ Carboners, 35
Pol. Ind. La Cometa
43700 EL VENDRELL
TARRAGONA-ESPAÑA
Tel.: (+34) 977 665 147
Fax : (+34) 977 664 989
info@safi-valvulas.com

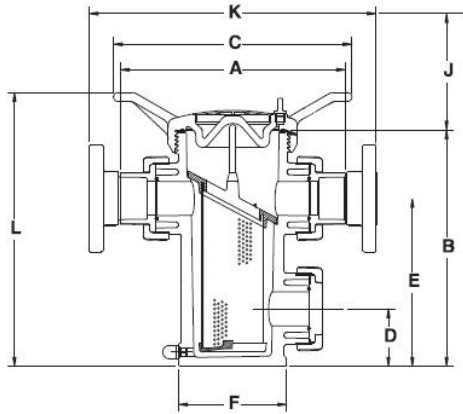
SAFI América

Las Garzas Trade Center
Las Garzas #950, B
Quilicura
SANTIAGO – CHILE
Tél.: (+56 2) 2 510 3500
Fax : (+56 2) 2 510 3507
info@safi-america.com

SAFI América Perú S.A.C

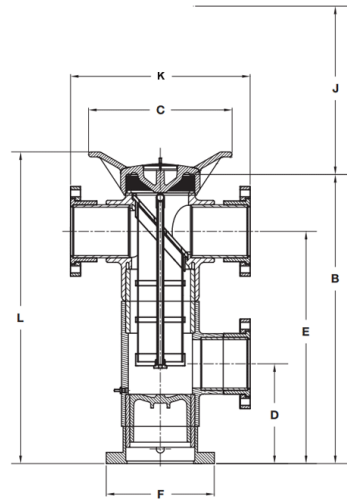
Avenida José Pardo n° 601
Oficina 1301
MIRAFLORES 15074,
LIMA - PÉRU
Tél.: (+51) 1 699 8100
peru@safi-america.com

DIMENSIONS



DN15 to DN100 D/U with flanges = PVC-U, PVC-C, PPGF

J = Clearance for basket removal



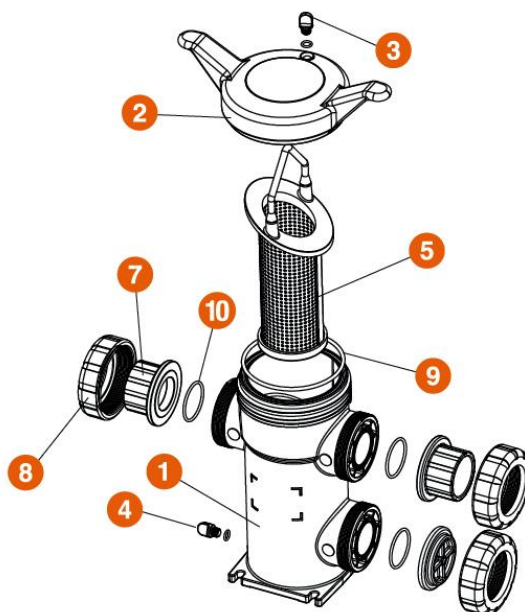
DN150 to DN200 with flanges = PVC-U and PVC-C ONLY

			Dimensions									Weight (Kg)		
d	DN	DN	A	B	C	D	E	F	J	K	L	PVC-U / PVC-C / PPGF	Volume	
mm	mm	inch	mm	mm	mm	mm	mm	mm	mm	mm	mm	Metric Sockets Threaded	Flanges (L)	
20	15	1/2"	219	245	279	57	171	109	203	274	297	3,63	4,08	0,76
25	20	3/4"	219	245	279	57	171	109	203	280	297	3,63	4,08	0,76
32	25	1"	219	245	279	57	171	109	203	296	297	3,63	4,08	0,76
40	32	1 1/4"	324	340	343	83	241	156	327	397	394	6,35	7,48	2,65
50	40	1-1/2"	322	340	343	83	241	156	327	403	394	6,35	7,48	2,65
63	50	2"	324	340	343	83	241	156	327	413	394	6,35	7,48	2,65
75	65	2-1/2"	420	504	406	123	377	184	438	534	566	12,70	14,97	10,60
90	80	3"	417	504	406	123	377	184	438	517	566	12,70	15,20	10,60
110	100	4"	439	504	406	123	377	184	438	562	566	12,70	16,78	10,60
160	150	6"	-	871	457	316	736	298	554	569	1013	-	27,21	25,74
225	200	8"	-	871	457	316	736	298	730	640	1013	-	36,28	34,07

Les descriptions et caractéristiques figurant sur ce document sont données uniquement à titre d'information et non d'engagement contractuel. SAFI se réserve le droit d'effectuer sans préavis, toute modification.
SAFI has a policy of continuously developing its product range and the above data is subject to change without prior notification.

Die Beschreibungen und Daten, die sich auf diesem Dokument befinden, sind rein informativ und unverbindlich. SAFI behält sich vor, ohne Vorankündigung Änderungen vorzunehmen, die als technisch notwendig erachtet werden.
Las descripciones y características que figuran en este documento son indicativas. En ningún caso son contractuales. SAFI se reserva el derecho sin previo aviso de efectuar cualquier modificación.

PARTS LIST



N°	Qty	Description	Material
1	1	Body	PVC-U/PVC-C/PPGF
2	1	Cover	PVC-U/PVC-C/PPGF
3	1	Vent Plug + O-Ring	PVC-U/PVC-C/PPGF EPDM / FPM
4	1	Drain Plug + O-Ring	PVC-U/PVC-C/PPGF EPDM / FPM
5	1	Basket	PVC-U/PVC-C/PP
6	2	Flange	PVC-U/PVC-C/PPGF
7	2	End connector	PVC-U/PVC-C/PPGF
8	3	Nut	PVC-U/PVC-C/PPGF
9	1	Cover O-ring	EPDM / FPM
10	3	End connector O-ring	EPDM / FPM

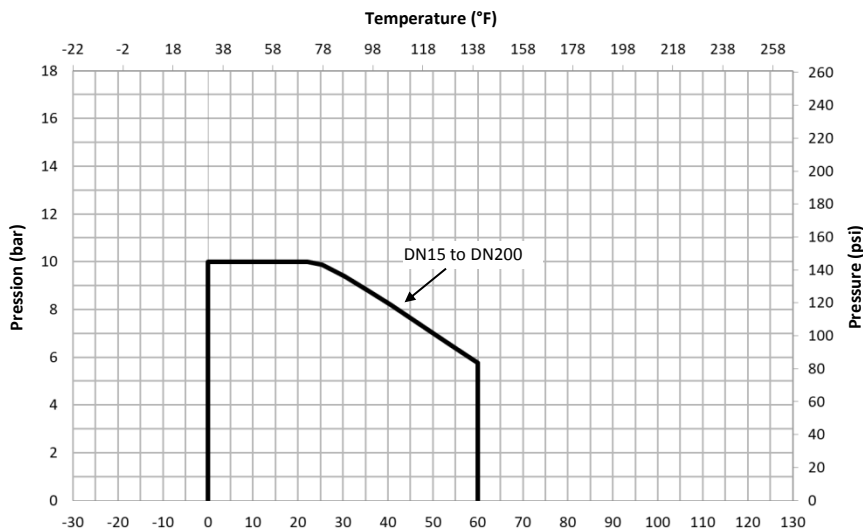
Assembly instruction:

- Attach union nut (8) and end connectors (7) to piping
- Install the seal (9) in the groove of the filter's body (1)
- Introduce the sieve (3) in the filter's body (1)
- Screw the cover (2) onto the body (1)
- Place the prepared assembly on the piping (attention: the installation must be done in the vertical position.)

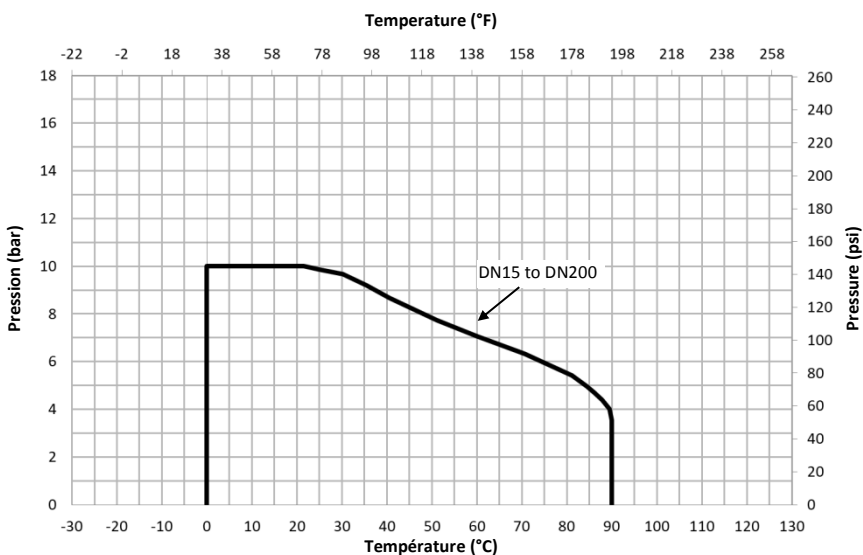
Basket strainers standard perforation :

- DN15 : Ø 0,79 mm (1/32") holes
- DN20 : Ø 0,79 mm (1/32") holes
- DN25 : Ø 0,79 mm (1/32") holes
- DN32 : Ø 3,2 mm (1/8") holes
- DN40 : Ø 3,2 mm (1/8") holes
- DN50 : Ø 3,2 mm (1/8") holes
- DN65 : Ø 3,2 mm (1/8") holes
- DN80 : Ø 3,2 mm (1/8") holes
- DN100 : Ø 3,2 mm (1/8") holes
- DN150 : Ø 3,2 mm (1/8") holes
- DN200 : Ø 3,2 mm (1/8") holes

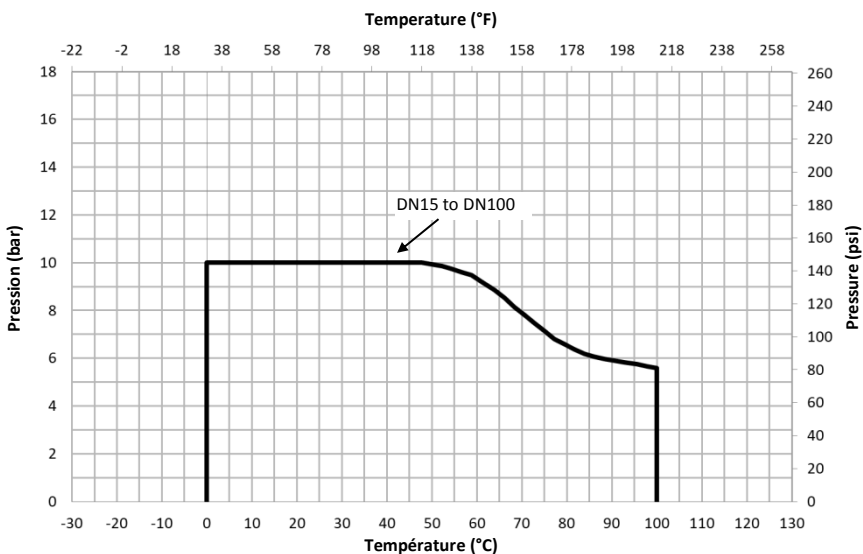
PRESSURE / TEMPERATURE CURVES



PVC-U



PVC-C



PPGF

Les descriptions et caractéristiques figurant sur ce document sont données uniquement à titre d'information et non d'engagement contractuel. SAFI se réserve le droit d'effectuer sans préavis, toute modification.

SAFI has a policy of continuously developing its product range and the above data is subject to change without prior notification.

Die Beschreibungen und Daten, die sich auf diesem Dokument befinden, sind rein informativ und unverbindlich. SAFI behält sich vor, ohne Vorankündigung Änderungen vorzunehmen, die als technisch notwendig erachtet werden.

Las descripciones y características que figuran en este documento son indicativas. En ningún caso son contractuales. SAFI se reserva el derecho sin previo aviso de efectuar cualquier modificación.

Pressure/ Temperature Summary

DN	Working Pressure (bars at 20°C)		
	PVC-U	PVC-C	PPGF
15	10	10	10
20	10	10	10
25	10	10	10
32	10	10	10
40	10	10	10
50	10	10	10

DN	Working Pressure (bars at 20°C)		
	PVC-U	PVC-C	PPGF
65	10	10	10
80	10	10	10
100	10	10	10
150	10	10	10
200	10	10	10

Working Temperature		
PVC-U	PVC-C	PPGF
0°C to + 60°C	0°C to + 90°C	0°C to +100°C

PRESSURE LOSS

DN	Kv (m ³ /h)
15	12,97
20	15,57
25	17,30
32	47,57
40	50,17
50	51,90

DN	Kv (m ³ /h)
65	250,86
80	259,51
100	302,76
150	865,05
200	648,78

Basket perforation correction factors
DN15 to DN100 DN150 to DN200

Perforation	Coef.	Perforation	Coef.
1/32" 0,7389mm	1,05	1/8" 3,175mm	2,00
1/16" 1,5875mm	1,00	3/16" 4,7625mm	1,50
1/8" 3,175mm	0,58		
3/16" 4,7625mm	0,46		

The above Kv Values were determined:

- For DN15 to DN100: Using a 1 / 16" drilled plastic basket.
- For DN150 to DN200: Using a 5 / 32" drilled plastic basket.

To calculate the pressure drop through vessels using other than 1 / 16" or 5 / 32" drilled baskets, calculate the pressure drop using the listed Kv, and then multiply the results by the correction factor in the "Correction Factors" chart above.

Pressure loss given for a clean strainer (absence of clogging, even partial or in-significant)

CHEMICAL RESISTANCE

The chemical resistance of the valve is subject to the type of fluid, the temperature, the pressure, as well as the materials and seals of the valve.

Please contact us to have a personalized analysis of the resistance of one of our products to a given fluid

You can also consult, for information only, the table given in ISO 10358. However, this table cannot be considered as a recommendation by SAFI who could not be held liable for the use of this document.

DETERMINING A PRODUCT CODE

TYPE	SPECIFICATION	DN	Fitting (Inlet)	Fitting (Outlet)	Seals
4701 = PVC-U Basket Strainer 4711 = PVC-C Basket Strainer 4760 = PPGF Basket Strainer	- = Standard	00 = DN15 01 = DN20 02 = DN25 03 = DN32 04 = DN40 05 = DN50 06 = DN65 07 = DN80 08 = DN100 10 = DN150* 11 = DN200*	A = with unions, BSP threaded sockets B = with unions, DIN Metric plain socket C = with unions, PP-H Metric plain socket F = with unions, with flange with drilling in accordance with EN1092-1 PN10/PN16 (DIN) G = with unions, with flange with drilling in accordance with ASME B16.5 Class 150 (ANSI)	A = with unions, BSP threaded sockets B = with unions, DIN Metric plain socket C = with unions, PP-H Metric plain socket F = with unions, with flange with drilling in accordance with EN1092-1 PN10/PN16 (DIN) G = with unions, with flange with drilling in accordance with ASME B16.5 Class 150 (ANSI)	E = EPDM V = FPM

*DN150 and DN200 with flanges in PVC-U / PVC-C only

Estar® version : consult us

Example: 4760-05CCE

4760	-	05	C	C	E
PPGF basket strainer	Standard	DN50	with unions, PP-H Metric plain socket	with unions, PP-H Metric plain socket	EPDM Seals

Example: 4701-10FFE

4701	-	10	F	F	E
PVC-U basket strainer	Standard	DN150	with unions, with flange with drilling in accordance with EN1092-1 PN10 (DIN)	with unions, with flange with drilling in accordance with EN1092-1 PN10 (DIN)	EPDM Seals