



Ref: 56924

USE

- Mobile head wet cutting machine with plunge effect for intensive cutting of porcelain material, sintered stone and ceramics.
- Ideal for the use in small spaces.

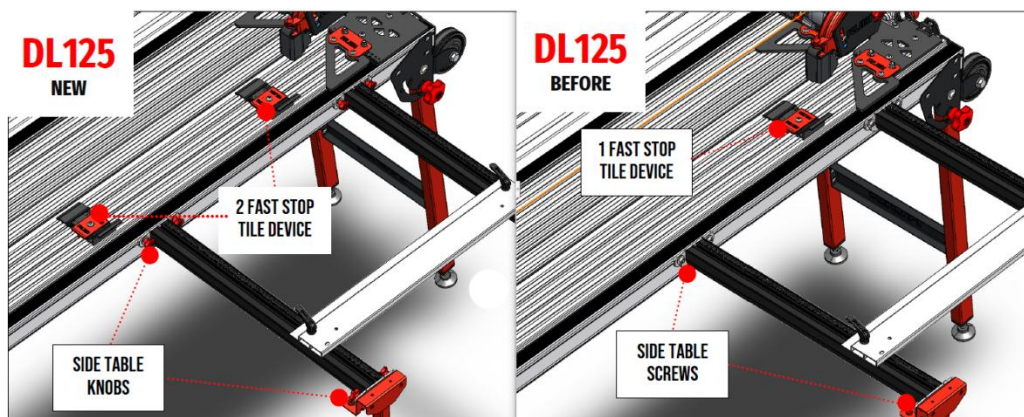
MAIN FEATURES

- **SUPERPRO** category.
- **Powerful** universal direct driven engine with **1800W (2.5 hp)** makes it able to cut landscaping material with 3 cm of thickness with ease.
- **New Hydra cooling system** refrigerates the blade from both sides and guarantees that water is aimed well towards the blade even in 45 degrees for better results.
- Plunge effect that allows the cutting depth to be adjusted according to the diameter of the disc used, which makes the machine compatible with blades between 115 mm (4.5") and 130 mm (5") in diameter.
- Two fast stop plates for mitre to better hold the tile in two positions instead of one, thus guaranteeing better precision.

OTHER FEATURES

- Can cut 30 mm in one pass in straight cut and 20 mm in mitre. And can reach to cut 50 mm in different passes.
- Sliding head with bearings for a smooth movement and tilting at 45° to make mitre cuts.
- Light and robust structure made of aluminium.
- Easy transportation thanks to the folding legs and the integrated wheels.
- Legs with height adjustment for optimal levelling and stability of the machine.
- Aluminium tables that offer a high resistance.
- Printed fix square for a perfect fit of the ceramic.
- Side table for large ceramic formats. Now easier assembly with knobs.
- Equipped with a tracer laser to facilitate the positioning of the tile.
- New water tray with a flexible tube that goes directly to the water bucket for more efficient water recover.
- Water tank with capacity of 8L, removable and with handle.
- Equipped with the Zero Dust system, which allows safe exposure to ceramic cutting because it collects the dust generated during cutting and deposits it in the water.
- Blade parallelism adjustment system. Motor head now can be adjusted by a screw.
- The EU (56924) and Australia (57916) versions are equipped with two diamond blades of 125 mm:
 - o TVR SUPERPRO
 - o SHARK SUPERPRO
- The version for USA (57912) includes the BADGER MESH WET/DRY diamond blade.

CHANGES APPLIED IN THE NEW MODEL



NOW WE HAVE TWO STOP DEVICES TO POSITION THE TILE IN 45° CUTS AND SOME KNOBS TO ASSEMBLE AND DISASSEMBLE THE SIDE TABLE.



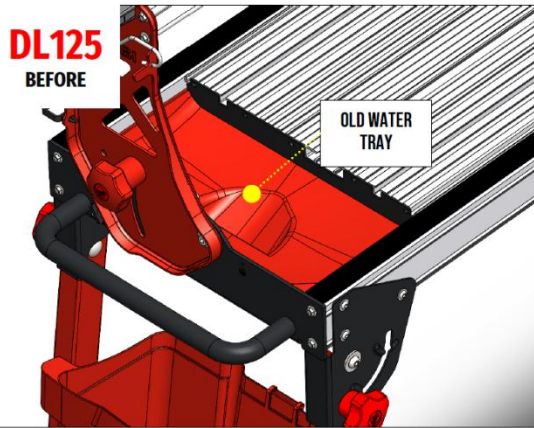
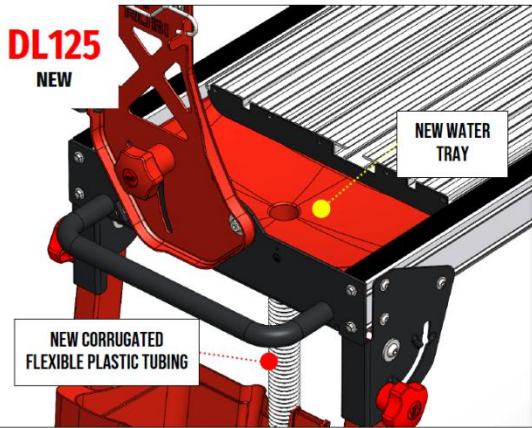
DL-125

VERSION

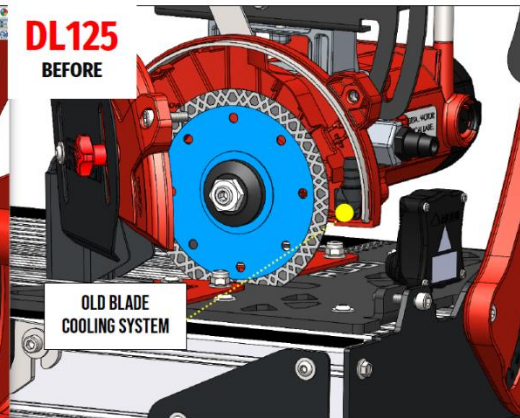
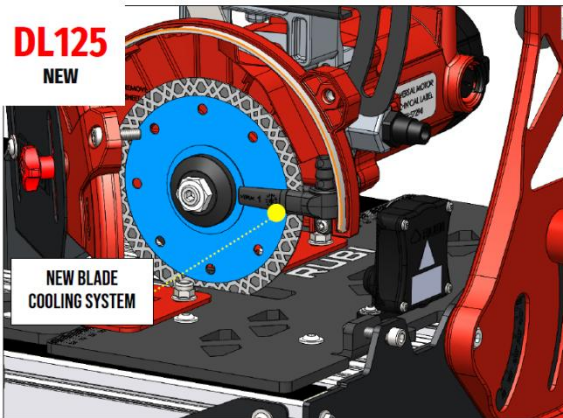
R-V.4.01

DATE

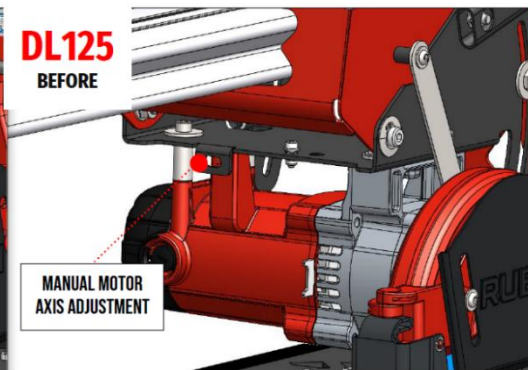
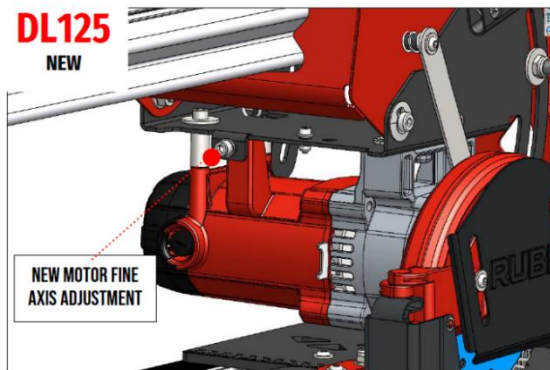
MAY 2025



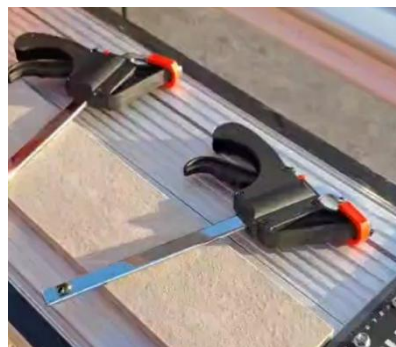
NOW WE HAVE A NEW WATER TRAY WITH A PIPE THAT GUIDES THE WATER TO THE TANK IN A BETTER WAY



THE MACHINE NOW INCORPORATES THE NEW HYDRA COOLING SYSTEM, WHICH BETTER COOLS THE ENTIRE CONTOUR OF THE BLADE.



WE CAN NOW ADJUST THE MOTOR AXIALLY BY MEANS OF A SCREW, PREVIOUSLY THIS WAS DONE MANUALLY.



rubi.com



Is the customer's responsibility to ensure, through their own trials and testing each product satisfies the purpose to which goes and if the actual conditions of use are the most appropriate • Specific values may be subject to variation, since fall outside our control because of the different conditions likely to be encountered in the use and application of our products • All data, information and recommendations contained in this product sheet, referred to products, way of use and applications, are based on actual knowledge • Data and the own technical sheet can be changed without prior notice.

Clamps included now with the new DL-125

TECHNICAL SPECIFICATIONS

- Power: 1800 W (2.5 hp)
- Voltage: 220 - 230V 50/60Hz (EU, ref. 56924)
240V 50Hz (Australia, ref. 57916)
110 – 130V 50/60Hz (USA, ref. 57912)
- Maximum straight cut length:
 - o 124 cm (49") without plunge effect
 - o 133 cm (52") with plunge effect
- Maximum diagonal cutting length:
 - o 87,5x87,5 cm (34"x34") without plunge effect
 - o 90x90 cm (35"x35") with plunge effect
- Maximum cutting thickness:
 - o 30 mm with one step
 - o 50 mm with two steps
- Maximum cutting thickness at mitre cuts: 20 mm
- Rpm: 10.000 - 12.000 (5.000 - 7.000 with load)
- Outer diameter of the blade: 115 – 130 mm
- Blade inner diameter: 22.2 mm
- Laser tracer power: 2mW
- Machine dimensions:
 - o Folded: 177x47x68 cm
 - o Unfolded: 177x47x131 cm
 - o Unfolded with lateral support: 177x185x131 cm
- Net weight: 43 kg (95 lb)
- IP 20

PACKAGING

- Neutral cardboard box on special pallet.
- Dimensions: 186,5x54x84 cm
- Weight: 48 kg (106 lb)

REGULATIONS

- Complies with the following directives and standards:
 - o MD: EN 12100:2010, EN 12418:2021, EN 62841-1:2015
 - o LVD: EN 60204-1:2018
 - o EMC: IEC 61000-6-2:2019; EN IEC 61000-6-4:2019; EN IEC 61000-3-2:2019,
 - o IN 61000-3-3:2013/A1:2019
- European Directives (EC):
 - o 2006/42/EC



- 2014/35/EU
 - 2014/30/EU
 - 2011/65/EC
- UK Certificate:
- MD: 2008 SI 2008/1597, as amended by SI 2011/1043, SI 2011/2157 and SI 2019/696
 - EMC: 2016 SI 2016/1091, as amended by SI 2017/1206 and SI 2019/696