

ISC 25: 90 kg
ISC 30: 102 kg
Weight

ISC 25: 2.500 l.
ISC 30: 3.000 l.
Capacity

ISC 25: 625 kg
ISC 30: 750 kg
Load

ISC 25: 1.400 mm
ISC 30: 1.420 mm
Height of opening

205, 250
ó 150 x 410 mm
Diameter of opening



FEATURES

Manufactured from solid-coloured high density linear polyethylene and stabilised against the combined effects of UV radiation and water, it is highly resistant to atmospheric conditions.

Smooth surfaces.

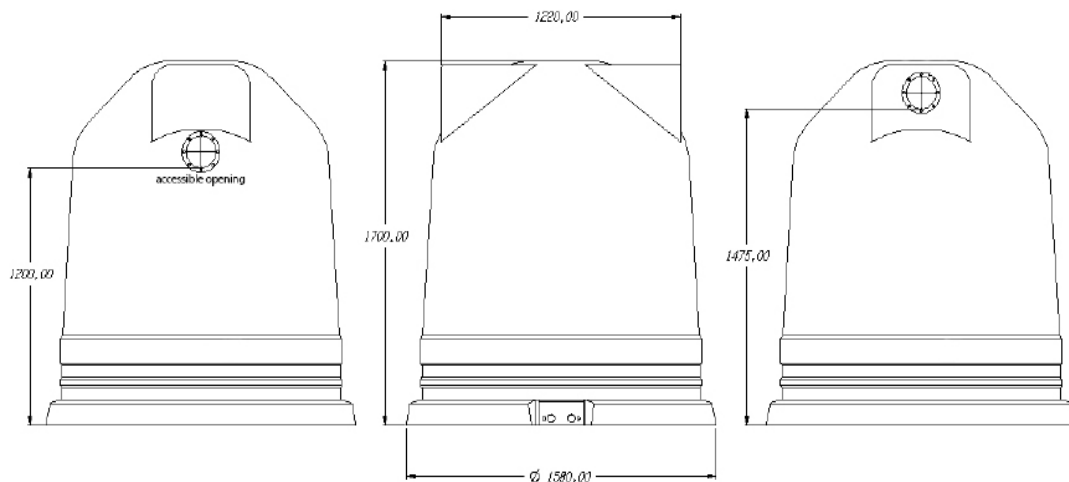
Colour stability.

Total corrosion resistance.

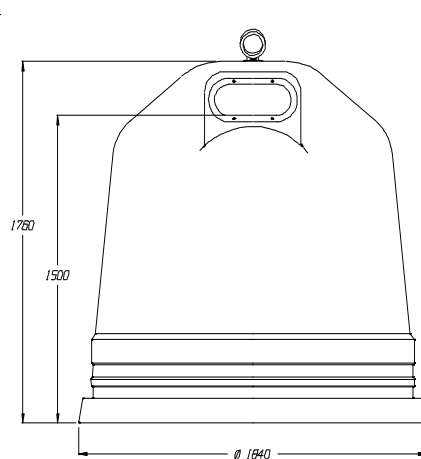
With an exclusively-designed Contenur outline brace, making the assembly robust and hard-wearing.

Customised containers for each type of waste collection: glass, paper, plastics, etc.

ISC 25



ISC 30



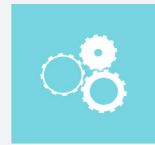
ATTRIBUTES



QUALITY



ACCESSIBILITY



FUNCTIONALITY



WIDE RANGE OF COLOURS

EQUIPMENT

Double hook or kinshofer crane lifting system.

Optimum size apertures to take each type of waste, at a maximum height of 1.420 mm from the ground, to facilitate user access. They can be circular (200 mm) or rectangular (150 x 400 mm), with a reinforced exterior and front overhang to prevent water ingress.

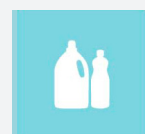
Discharge doors manufactured from rotationally-moulded high density polyethylene.

The lifting/ emptying system is corrosion resistant steel and is located on the upper part of the container.

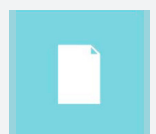
The following items are available upon request: large size apertures with a lock, silk screen graphics incorporated onto the container during the manufacturing process, personalised colour, reflective strips.



Glass opening



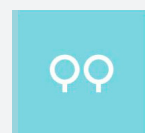
Plastic opening



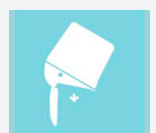
Paper opening



Kinshofer



Double hook



Easy emptying