

LITTER BIN

OMEGA 50 L

OMEGA 50 L LITTER BIN

50 L Capacity	385 x 107 mm User opening size
PEHD Material	875 mm Total height
6,2 Kg Weight	450 mm Maximum width
2,5 Kg Basket weight	411 mm Total depth
900 mm User opening height	



UNCOVERED OMEGA 50 L LITTER BIN

50 L Capacity	385 x 305 mm User opening size
PEHD Material	711 mm Total height
5 Kg Weight	450 mm Maximum width
2,5 Kg Basket weight	411 mm Total depth
900 mm User opening height	

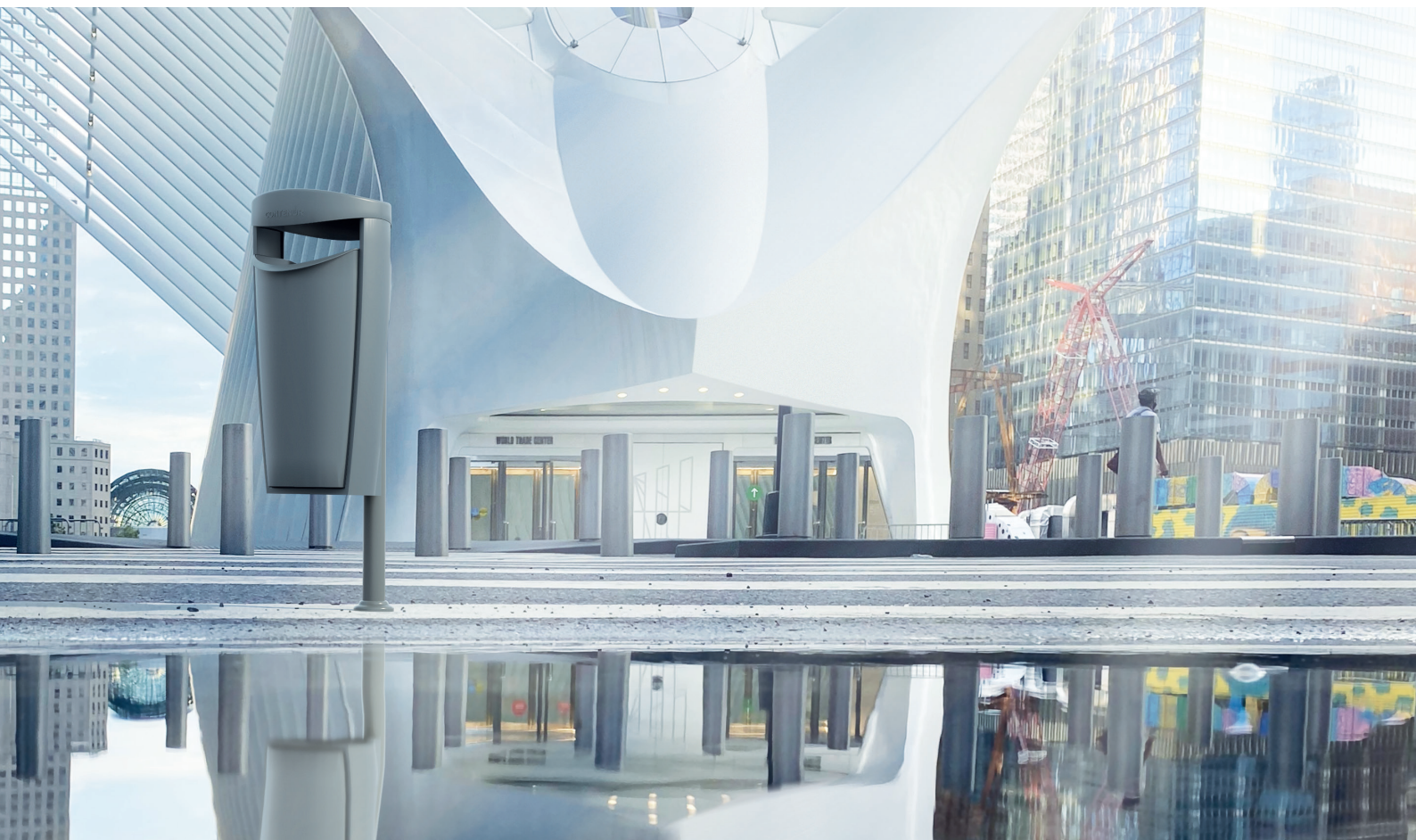


LITTER BIN

OMEGA 50 L

GENERAL FEATURES

- Our range of **OMEGA** litter bins comes in 50, 60 and 120 litres.
- Streamlined design with soft shapes and simple lines, conceived for cities with a modern and renovated look.
- All **OMEGA** paper bins are 100% recoverable at the end of their useful life. The entire range may be 100% made of recycled material.
- Manufactured with injected high-density polyethylene or linear polyethylene rotomoulding.
- Our family of **OMEGA** litter bins has been designed with a textured finish to avoid stickers adhering or graffiti.
- All **OMEGA** litter bin models have the possibility of a top cover.
- The roundness of the cover avoids unwanted waste depositing and accumulated water.
- Open **OMEGA** 50 L, 60 L and 120 L litter bins are designed for parks and green/landscaped areas.
- Customisation: a large customisable surface area on the body and lid.
- The feeding area in all litter bins is placed at a maximum height of 900 mm for greater access.
- All litter bins in the **OMEGA** family meet Accessibility Standard - UNE EN 170001.
- Standard **CONTENÜR** Grey. Other colours available, subject to a minimum order.



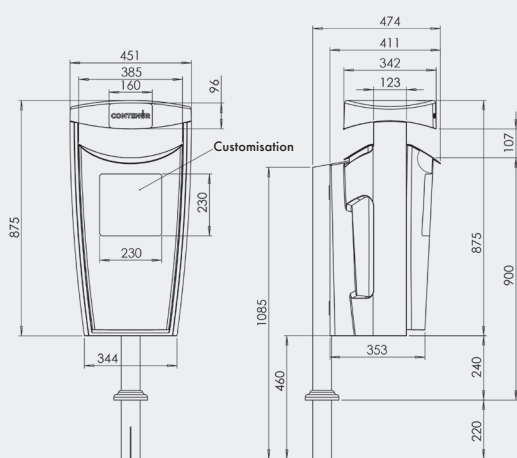
LITTER BIN

OMEGA 50 L

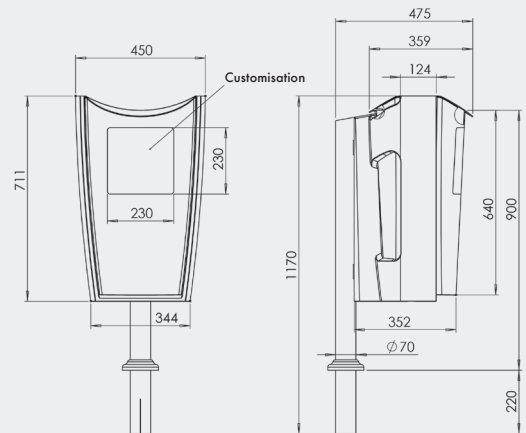
TECHNICAL FEATURES

- Manufactured with injected high-density polyethylene, dyed in the mass, stabilised to fight the combined effect of water and UV rays.
- The **OMEGA 50 L** litter bin consists of an internal structure, body and cover.
- 50-litre capacity basket. Highly resistant to blows and breakage.
- The **OMEGA 50 L** litter bin may be ordered without a top cover.
- The **OMEGA 50 L** litter bin allows waste to be deposited on both sides of the bin.
- User opening, available in the following sizes:
OMEGA 50 L litter bin: 385 x 107 mm
Uncovered OMEGA 50 L litter bin: 385 x 305 mm
- User opening placed at a 900 mm height, for greater access.
- Standard customisation:
 Possibility of customising the body of the litter bin with a plate, the maximum available size being 230 x 230 mm.
- Possibility of customising body using silk screen graphic or thermal printing, the maximum available size being 150 x 150 mm.
- Premium customisation:
 Upon request, the possibility exists of integrated customisation in the body (textured), the maximum available size being 230 x 230 mm.
- Possibility of customising the litter bin cover with textured Braille lettering, to include pictures and icons facilitating citizen recycling, the maximum available size being 77 x 35 mm.
- The **OMEGA 50 L** litter bin may be supplied with a non-watertight body to drain off any liquid. The **Uncovered OMEGA 50 L litter bin** already comes with a non-watertight body.
- Opening and closing system fitted with a standard triangular key, only available to authorised staff.

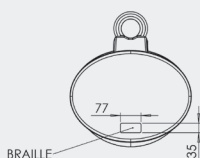
OMEGA 50 L LITTER BIN - MEASUREMENTS



OMEGA 50 L LITTER BIN



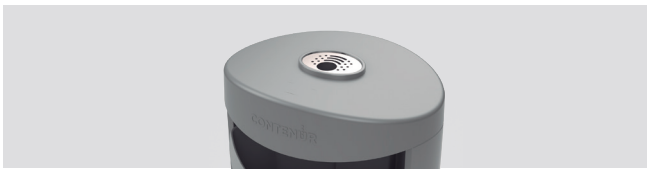
UNCOVERED OMEGA 50 L LITTER BIN



LITTER BIN

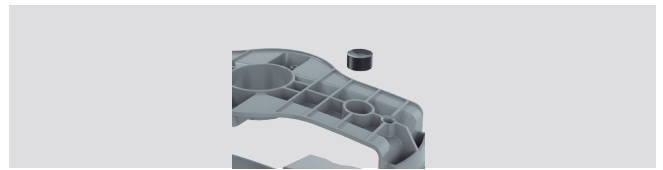
OMEGA 50 L

ACCESSORIES



ASHTRAY -

This accessory is only available for the standard version of each model. Located in the middle of the bin lid, it allows cigarette butts to be put out and discarded inside.



ELECTRONIC CHIP -

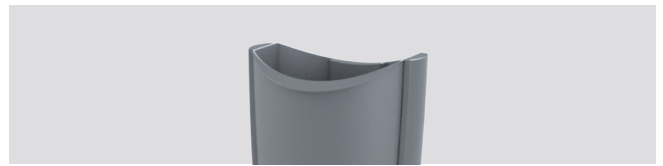
The bin lid has space available for the hosting of chips. This enables identification and tracking of the product and allows a supervision of any cleaning and maintenance tasks.



PLASTIC BAG DISPENSER -

The litter bin may be fitted with a plastic bag dispenser for dog excrement, located on the side of the bin, providing an almost contactless supply of bags. It consists of a PEHD-manufactured carcass and identifying picture, with an inside metal dispenser able to hold 50 bags.

Usable size: 65 x 60 mm.



UNCOVERED OMEGA 50 L LITTER BIN -

Upon request, the **OMEGA 50 L** litter bin may be provided without a top cover.



OMEGA 50 L LITTER BIN



OMEGA 50 L LITTER BIN
Uncovered



OMEGA 60 L LITTER BIN



OMEGA 60 L LITTER BIN
Uncovered



OMEGA 120 L LITTER BIN



OMEGA 120 L LITTER BIN
Uncovered