

# 2 SIDE SYSTEM

THE ULTIMATE  
SOLUTION

CONTENÜR



# The ultimate solution for bilateral collection

## 2SS® is an integral and innovative solution

that works as a result of the perfect combination of all its elements, providing optimal results and marking a difference with other competitors in the industry.

Three models to cover all market needs.

They are designed to be fully integrated into the urban environment, with minimum occupation of public space.

Aesthetic solution, with a sophisticated and innovative design.

Different opening systems to make recycling easier.

Easy and safe for citizens, the height of the containers does not impede visibility.

Compliance with European standard EN-13071.



# 2SIDE SYSTEM



## QUALITY

Manufactured from rotational-moulded high-density linear polyethylene, mass-coloured and stabilised against the combined action of UV rays and water.

**Flexibility** against impact

Designed to work at **low temperatures**

**Ideal drop angle** to avoid blockages in the operation

**Lighter than metal.** Less stress on customer's lifting equipment

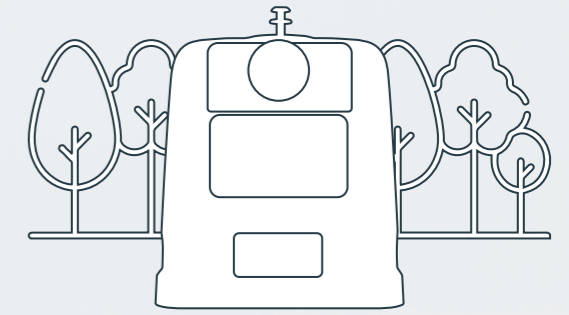
Provided with **ribs** on the body to guarantee strength and resistance

**Silent**

**No oxidation** by salt or leachates

# DESIGN

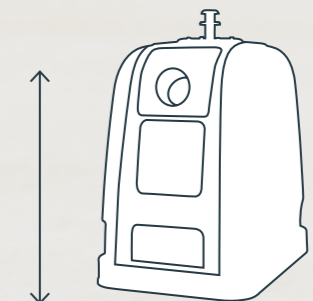
They are designed to be **fully integrated into the urban environment**. Manufactured with a sophisticated and innovative design, and with environmentally friendly materials. Exclusive **CONTENÜR** design.



**Attractive and modern design,** smooth lines, aesthetics, city integration.



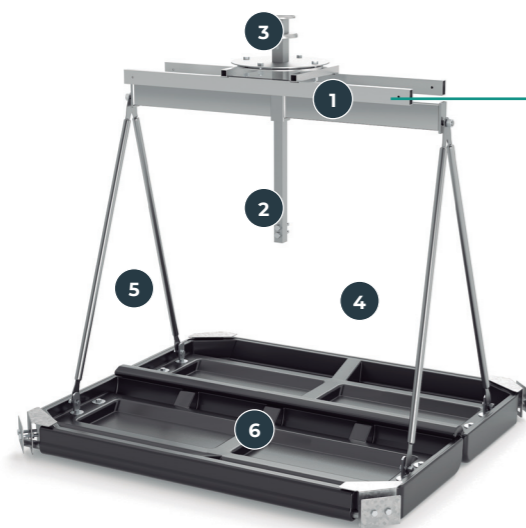
**Reduced height** to minimise visual impact on streets, improve visibility of traffic and visibility of shops and shop windows. Increased safety for pedestrians.



**Accessibility:**  
Opening height at 1180 mm.  
Certified with UNE 170001 Universal Accessibility Certification.

# FUNCTIONALITY

Certified to the European standard for crane-lift containers 13071, there are currently thousands of units in operation in different countries. It is a robust, durable and low maintenance solution.



- 1. Reinforced roof
- 2. Centre tube
- 3. Lifting tube
- 4. Side strips
- 5. Lifting crosspieces
- 6. Reinforcing plate



**Overlapping gates.** Overlapping bottom gates designed to prevent spillage and store leachate.



**Alignment system.** Lengthwise and crosswise.

## OPENING AND CLOSING SYSTEM



Container



Reinforcing plate corner



Bottom flaps



# SUSTAINABILITY

2SS® is a container that is **100% recyclable** at the end of its useful life. **CONTENUR** is committed to giving the containers a second life by reintroducing them into the manufacturing process, and for this purpose, once they have been removed from streets, they will be treated for reuse.



## OCS

Operation Clean Sweep®, a global initiative in the plastic industry to reduce potential leakage of pellets (primary microplastics), in the form of chippings, scales or powdered resin, into the environment. Our OCS certification recognises that **CONTENUR**, voluntarily, is actively committed to reducing this environmental waste by implementing a strict action plan.



## ECODESIGN ISO 14006

Our Ecodesign certificate proves that **CONTENUR** has adopted a management system to identify, control and continuously improve the environmental side of its products and/or services, informing our clients about any products that have included design-based environmental improvements, in accordance with standard UNE-EN ISO 14006.



## ENERGY EFFICIENCY ISO 50001

**CONTENUR** only uses renewable energy sources in order to reduce CO2 emissions. An energy efficiency management programme is in place to protect the environment, reduce the level of energy consumed and promote responsible consumer use, in accordance with ISO 50001.



# RANGE



## GENERAL FEATURES

- Three volume options available: 2000L, 2800L, 3600L.
- Manufactured from rotational-moulded high-density linear polyethylene, mass-coloured and stabilised against the combined action of UV rays and water.
- Recyclable and environmentally friendly materials are used in their production.
- No heavy metals are used in the pigments.
- The body is ribbed to provide strength and resistance. Exclusive **CONTENÜR** design.
- Variations for each type of collection: paper, glass, packaging, organic.
- Internal structure certified in accordance with European standard EN 13071, guaranteeing the quality, durability and resistance of the container, as well as safety in operation.



- **Weight:** 164 Kg
- **Capacity:** 2000 L
- **Load:** 800 Kg
- **Opening height:** 1180 mm



- **Weight:** 197 Kg
- **Capacity:** 2800 L
- **Load:** 1120 Kg
- **Opening height:** 1180 mm



- **Weight:** 230 Kg
- **Capacity:** 3600 L
- **Load:** 1400 Kg
- **Opening height:** 1180 mm

## BILATERAL LOADING CONTAINER

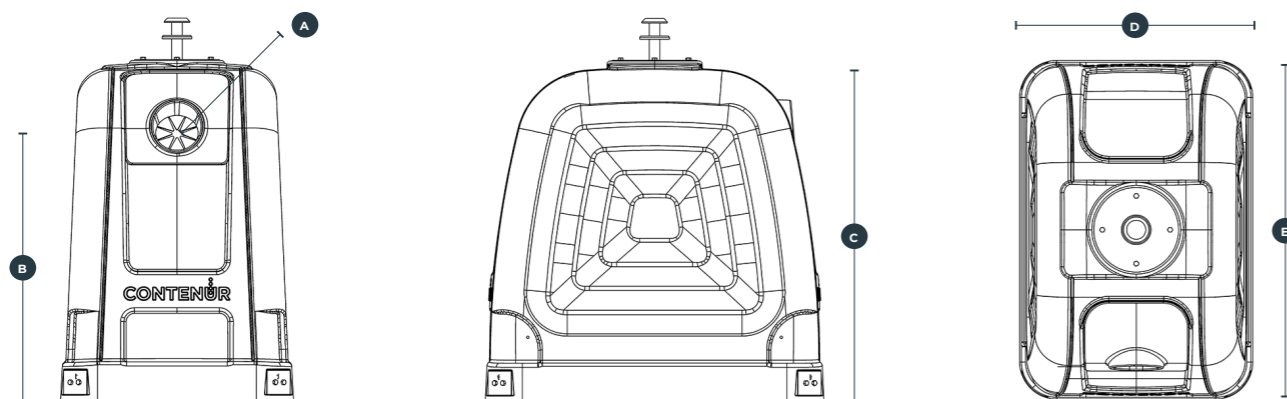
## 2000



## EQUIPMENT

- Lifting system: double hook or Kinshofer.
- Circular loading opening at a floor height of 1180 mm.
- Metal lifting and emptying system protected against corrosion.
- On request it can be supplied with silk-screen printing or stickers with maximum dimensions of 445 x 480 mm (upper area) and 480 x 215 mm (lower area).
- Circular opening  $\varnothing 200$  mm.
- Hinged lid with pedal option.

## DIMENSIONS



A > Circular openings:  $\varnothing 200$  mm | B > 1180 mm | C > 1600 mm | D > 1100 mm | E > 1600 mm





## BILATERAL LOADING CONTAINER

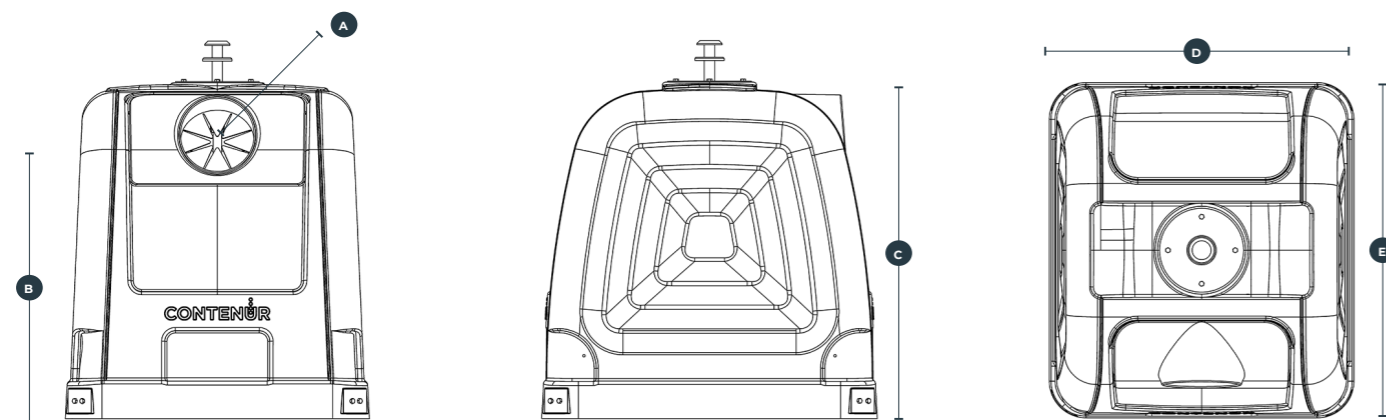
2800



## EQUIPMENT

- Lifting system: double hook or Kinshofer.
- Circular loading opening at a floor height of 1180 mm.
- Metal lifting and emptying system protected against corrosion.
- On request it can be supplied with silk-screen printing or stickers with maximum dimensions of 795 x 480 mm (upper area) and 480 x 215 mm (lower area).
- Circular opening  $\varnothing 350$  mm.
- Hinged lid with pedal option.

## DIMENSIONS



A > Circular openings:  $\varnothing 350$  mm | B > 1180 mm | C > 1600 mm | D > 1450 mm | E > 1600 mm



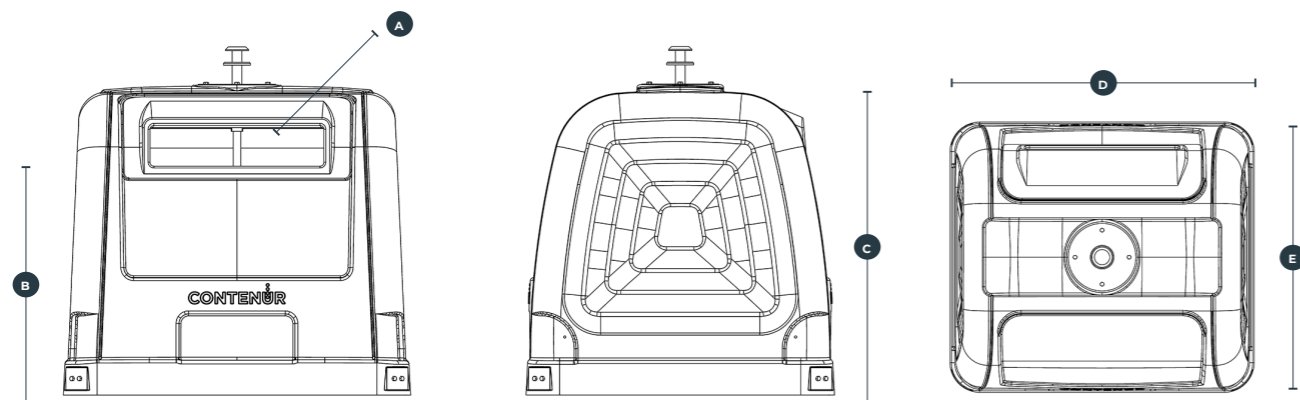
## BILATERAL LOADING CONTAINER

**3600**

## EQUIPMENT

- Lifting system: double hook or Kinshofer.
- Circular loading opening at a floor height of 1180 mm.
- Metal lifting and emptying system protected against corrosion.
- On request it can be supplied with silk-screen printing or stickers with maximum dimensions of 1145 x 480 mm (upper area) and 580 x 215 mm (lower area).
- Two circular openings  $\varnothing 200$  mm and  $\varnothing 300$  mm.
- Rectangular opening 900 x 200mm
- Hinged lid with pedal option.

## DIMENSIONS



**A** > Rectangular opening 900x200 mm | **B** > 1180 mm | **C** > 1600 mm | **D** > 1800 mm | **E** > 1600 mm



# ACCESSORIES AND EQUIPMENT



## DIFFERENT OPENING CONFIGURATIONS -

Different opening configurations: Openings for different types of waste: paper, glass, packaging, organic waste, residual waste.

- Circular openings Ø200 mm and Ø350 mm.
- Rectangular opening 900 x 200mm



## TELESCOPIC ROD -

It reduces the length of the opening rod of the gates, which reduces entry obstruction of the waste. In this case, paper and cardboard need the given space so that their entry is not obstructed.



## CUSTOMISATION -

Possibility of customising the igloo with a sticker, which facilitates recycling tasks for citizens by including graphics and icons that allow fast identification of the container used. Available dimensions:

- 2000 - Upper area: 445 x 480 mm  
2000 - Lower area: 480 x 215 mm
- 2800 - Upper area: 795 x 480 mm  
2800 - Lower area: 480 x 215 mm
- 3600 - Upper area: 1145 x 480 mm  
3600 - Lower area: 580 x 215 mm



## OPENING ON BOTH SIDES -

Possibility of having openings at the front and rear. Better optimisation of waste inside the container and greater ease of use.



## RANGE OF COLOURS -

Standard light grey, dark grey and dark green. Other colours on request for special projects.



## LIFTING SYSTEM -

Lifting system available for different systems: double hook and Kinshofer.



## MANUAL LOCK -

Allows the user lid to be opened using a manual key lock.



## PEDAL -

CONTENÜR's patented chamber design stops the pedal from exceeding the container's size.



## VOLUMETRIC BOX -

Accessory that limits the volume of waste introduced during each use.

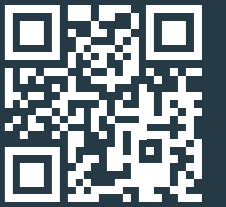
# CONSULTANCY

**At CONTENUR we have been designing, manufacturing, supplying and maintaining urban waste containers that improve the quality of life, sustainability and aesthetics of cities for more than 35 years.**

The industrial activity is completed with a wide range of services, including advice on the correct implementation of its products and the integral maintenance of containers, integral management of litter bins, recreational areas, sports areas and children's playgrounds in the cities where it operates.

**Advice from our professionals is a key point in the process to ensure that the choice and subsequent implementation of the product selected by the client is successful.**

[www.contenur.com/en](http://www.contenur.com/en)



# 2SIDE SYSTEM

The ultimate solution

CONTENÜR

[WWW.CONTENUR.COM/EN](http://WWW.CONTENUR.COM/EN)

