

# C2200

**2200 Kg**  
Capacity

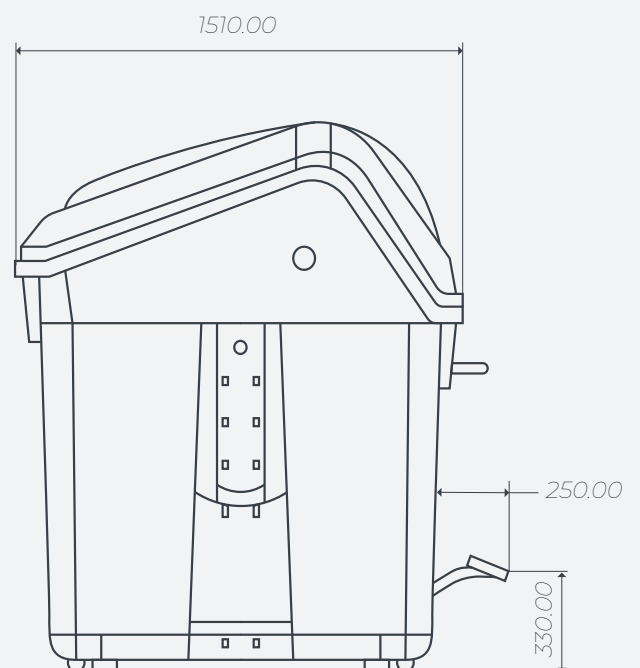
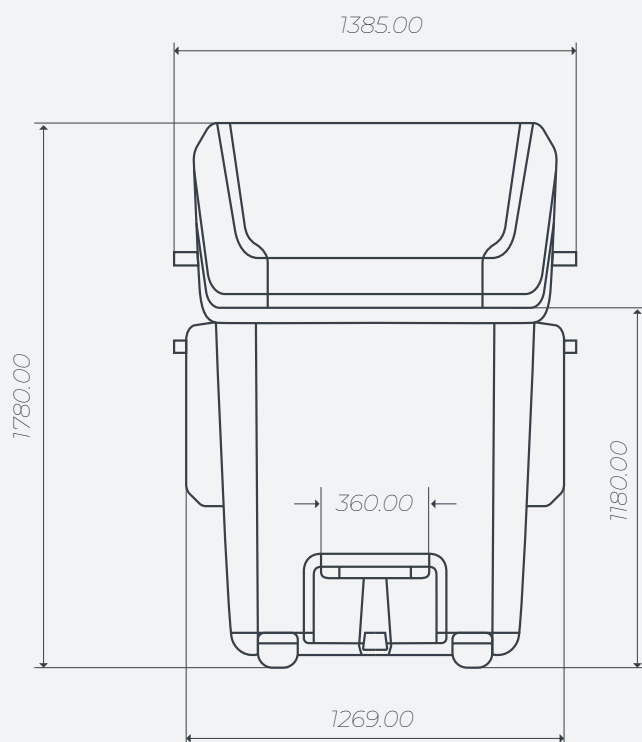
**116 Kg**  
Weight

**880 Kg**  
Nominal load

**1180 mm**  
Loading height



### TECHNICAL SPECIFICATIONS



## SIDE LOADING CONTAINERS

# C2200

### FEATURES

- CONTENÜR side-loading containers stand out due to their ease of use and emptying. They can include Smart Elements, which provide real-time information.
- Injection-manufactured with high density polyethylene and materials that respect the environment, they have the most demanding quality and product certifications.
- The CONTENÜR side-loading containers are designed for easy, streamlined and efficient cleaning and maintenance in optimum operating conditions.
- No heavy metals in the pigments used.

### STANDARDS

- Product Approval Certificate awarded by TÜV Service GmbH in accordance with European Regulation EN 12574.
- CE Marking with sound power level indicated in accordance with European Directive 2000/14/EC. 104db.
- Accessibility certificate according to UNE EN standard 170001.



### EQUIPMENT AND ACCESSORIES

- Ergonomic design that perfectly adapts to the different types of selective collection: paper and cardboard, glass, plastics, packaging, organic waste, etc
- Shock absorber to safely and silently close the lid.
- Plastic guide bars to reduce the noise made during collection.
- Recess for the installation of electronic chips.
- Elimination of cables to open the lid, resulting in less equipment maintenance.
- Elastic sliders to better adapt the container to the ground.
- Openings with sizes and features specially designed to accommodate each type of waste.
- Standard equipped with reflective strips on the back of the body container for better visibility on the Street.
- Possibility of customising body and lid of the container with shields, logos, etc. using the thermal transfer graphic system or stickers.
- Customisation of body with thermal transfer graphic, maximum size: 400 x 400 mm.

Model	Capacity	Weight	Nominal load	Loading height
<b>C2200</b>	2200 L	116 Kg	880 Kg	1180 mm
<b>C3200 F</b>	3200 L	140 Kg	1280 Kg	1180 mm



**C2200**



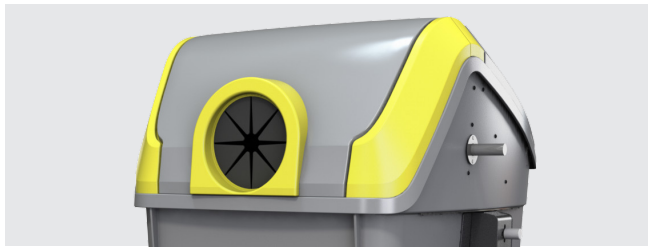
**C3200 F**

## SIDE LOADING CONTAINERS

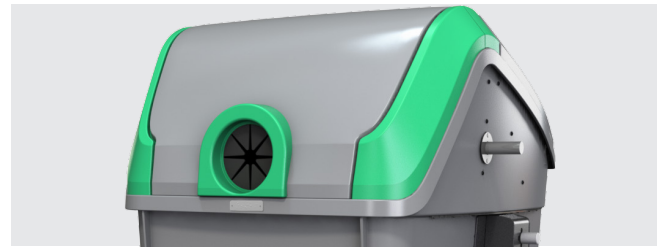
# C2200

### CUSTOMISATION

Can be equipped with a range of accessories providing real solutions to every requirement ...



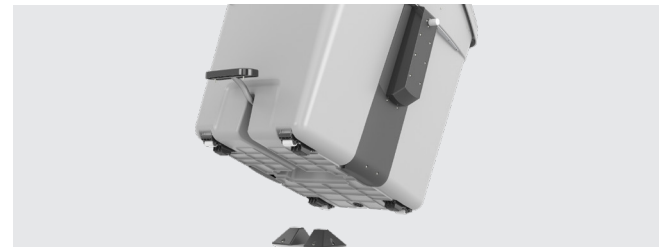
MIXED RECYCLING



GLASS APERTURE



LID IN LID



ALIGNMENT SYSTEM



PEDAL / FLEX PEDAL



ELECTRONIC LOCK



LEVER



WASTE IDENTIFICATION



WIDE RANGE OF COLOUR