

LITTER BINS

Europa 50 L

50 L
Capacity

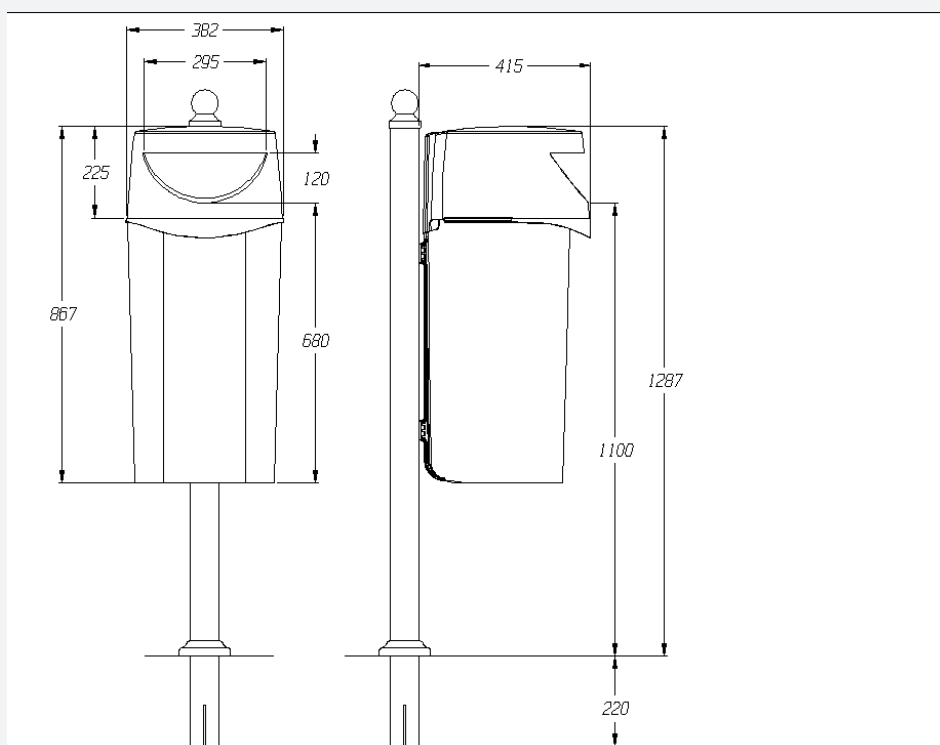
50 L
Basket capacity

867 mm
Height

382 mm
Maximum diameter



TECHNICAL SPECIFICATIONS



LITTER BINS

Europa 50 L

GENERAL FEATURES

- CONTENUR's Europa Series litter bins have been designed with a smooth surface to facilitate cleaning. Upon request, they may be supplied in a wide range of colours. Manufactured through rotomoulding with linear polyethylene or using a high-density polyethylene injection system.
- All Europa litter bins have a triangular lock and key for easy and simple handling.
- The 50 L Europa litter bin includes a fixing system made of highly-resistant technical plastic, whilst the 130 L Europa litter bin has a support base integrated into the body and fixed to the pavement with six universal anchor brackets, 12 mm wide.

EQUIPMENT AND ACCESSORIES

- The body and lid are injection moulded in solid coloured high-density polyethylene.
- Manufactured using environmentally-friendly recyclable materials.
- Its smooth surface prevents build-up of dirt and makes cleaning easier.
- The lid and body align perfectly, preventing the ingress of water and enhancing the bin's appearance.
- The upper part has a wide front opening designed to make it easier to insert waste, whilst at the same time hindering the dumping of bags of rubbish.
- The 50 litre capacity body has a large front area ergonomically designed to facilitate handling and emptying.
- The fixing system, produced in engineered plastic, provides a robust frame that stays fixed inside the bin and facilitates easy installation to lampposts, posts and fences.
- Upon request there is the possibility of customizing the litter bin with an outside ashtray on the lid of the litter bin.
- Customisation with thermally printed or with a body sticker, the max. available size being 200 x 180 mm.

Model	Capacity	Basket Capacity	Height	Material
Europa 50 L	50 L	50 L	867 mm	PE
Europa 130 L	130 L	120 L	1165 mm	PE



Europa 50 L



Europa 130 L

LITTER BINS

Europa 50 L

CUSTOMISATION

Can be equipped with a range of accessories providing real solutions to every requirement ...



ASHTRAY



CUSTOMISATION