

SANECAN®

# Olimpia

**508 mm**

Depth

**478 mm**

Width

**1120 mm**

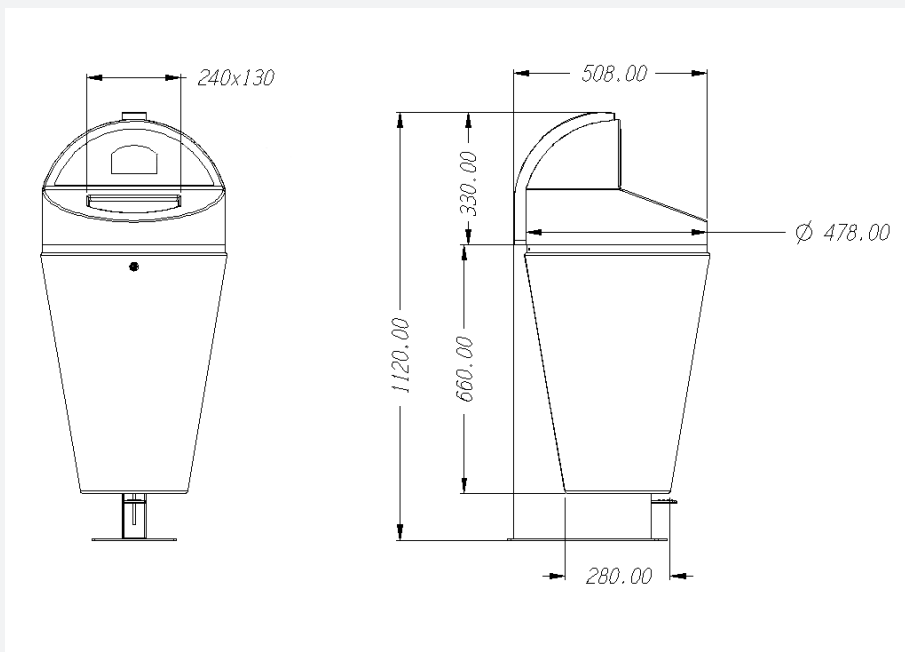
Height

**240 x 130 mm**

Opening area



## TECHNICAL SPECIFICATIONS



SANECAN®

# Olimpia

## FEATURES

- Body and lid manufactured from high-density polyethylene.
- The container comprises of a cone-shaped basket made from 6 mm thick polyethylene, and a smaller basket inside, where the dog waste is deposited.
- The semi-circular shaped lid has a bag feeder mechanism with a single dispenser that can contain up to 600 bags. This heavy-duty curved unit is designed to enable the lid to swivel open on a hinge, and locked using a standard key.
- The gloves/bags are black to disguise the contents. They are recyclable, opaque and waterproof and their ergonomic design and size makes them easy to use.
- The mounting system comprises of the support structure holding the unit, and the base plate which anchors it to the ground. The 420 x 120 x 4 mm flat base plate has four drill holes to take the adjustable threaded anchor bolts.
- Designed with vertical grooves and a grained finish to prevent fly-posting.
- It has a pedal-operated lid for easy disposal of the gloves/ bags after use.
- The latest advances in vandal-resistant technology make the entire structure really robust.

Model	Depth	Width	Height	Opening area
<b>Olimpia</b>	508 mm	478 mm	1120 mm	240 x 130 mm
<b>Sicilia</b>	320 mm	430 mm	1088 mm	200 x 120 mm
<b>Madrid</b>	285 mm	430 mm	1070 mm	196 x 120 mm
<b>Neptuno</b>	-	470 mm	1060 mm	195 x 100 mm



**OLIMPIA**



**SICILIA**



**MADRID**



**NEPTUNO**