

LITTER BINS

Milenium 130 L

130 L
Capacity

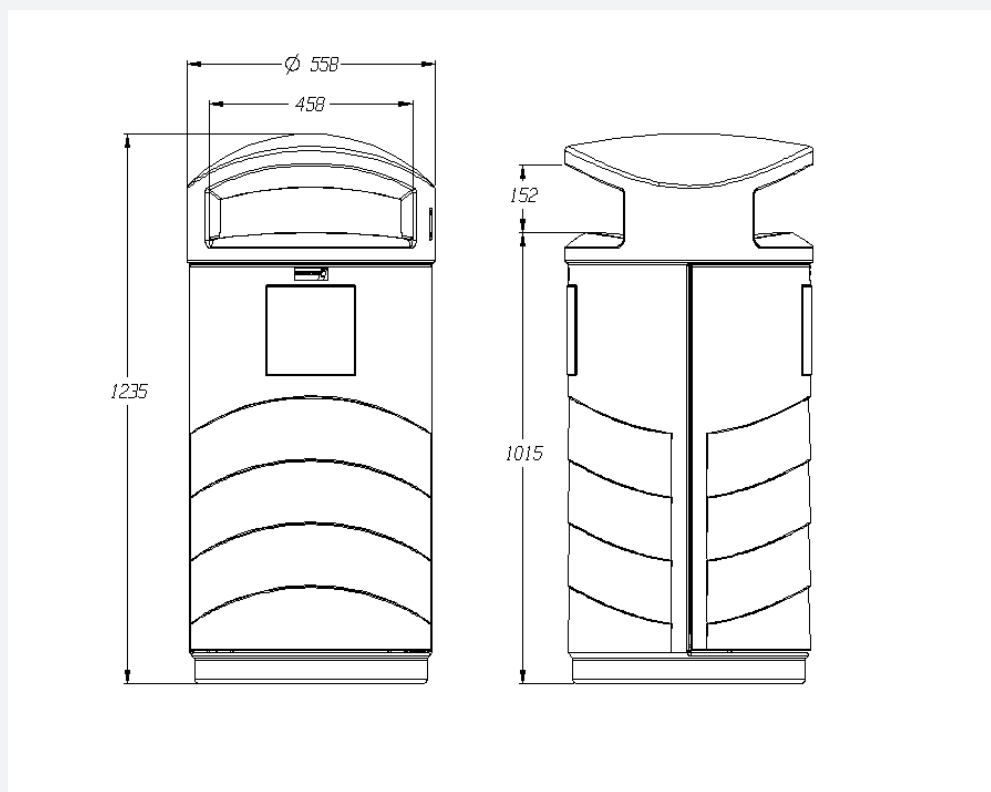
120 L
Basket capacity

1235 mm
Height

558 mm
Maximum diameter



TECHNICAL SPECIFICATIONS



LITTER BINS

Milenium 130 L

GENERAL FEATURES

- CONTENUR's Milenium Series litter bins are designed with smooth surfaces to facilitate cleaning. Manufactured in cast aluminium, with linear polyethylene rotomoulding or using injected high-density polyethylene.
- All litter bins are fitted with a triangular lock and key for smooth and easy handling.
- The 80 L and 130 L capacity litter bins have a support base integrated into the body and are fixed to the pavement with six anchor brackets, 12 mm wide, whilst the 50 L litter bin includes a fixing system made of highly-resistant technical plastic.
- A basket able to hold 50, 65 and 120 L, fitted with a handle to facilitate handling of the litter bin during emptying.

- Manufactured using environmentally-friendly recyclable materials.
- All metal parts are made of stainless steel or cast aluminium to prevent corrosion.
- Filling area comprises two wide openings having 180° access, made up of an upper part that is joined to the body of the bin by two vertical locks giving the whole structure a high degree of mechanical strength.
- 120 litre basket fitted with an integral handle to make emptying easier.
- There is the option of replacing the basket with a refuse sack.
- The system can also be used to segregate two separate materials if a two-compartment basket is fitted.
- Upon request there is the possibility of customizing the litter bin with an outside ashtray made of zinc plated painted ronoxide grey or stainless steel.
- Customisation using a plate on the body, maximum size: 200 x 200 mm.

EQUIPMENT AND ACCESSORIES

- Body and access lid manufactured in solid coloured high-density polyethylene offering colour stability, total corrosion resistance, a smooth finish and the ability to absorb routine impacts without denting or cracking.
- High density polyethylene is stabilised against both UV radiation and water.

Model	Capacity	Basket Capacity	Height	Material
Milenium 50 L	50 L	50 L	858 mm	PE
Milenium 80 L Covered	80 L	65 L	1028 mm	Aluminum
Milenium 80 L Uncovered	80 L	65 L	852 mm	Aluminum
Milenium 130 L	130 L	120 L	1235 mm	PE

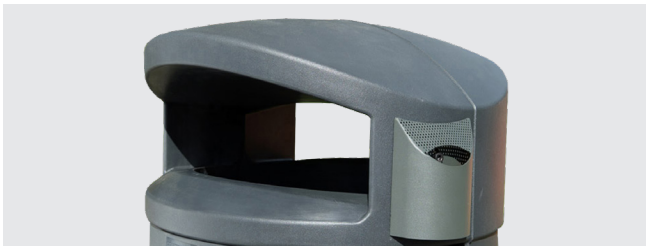


LITTER BINS

Milenium 130 L

CUSTOMISATION

Can be equipped with a range of accessories providing real solutions to every requirement ...



ASHTRAY



INTERNAL BASKET



DUAL COMPARTMENT



CUSTOMISATION



CIGARETTE EXTINGUISHERS