

LITTER BINS

Atenea 80 L

80 L
Capacity

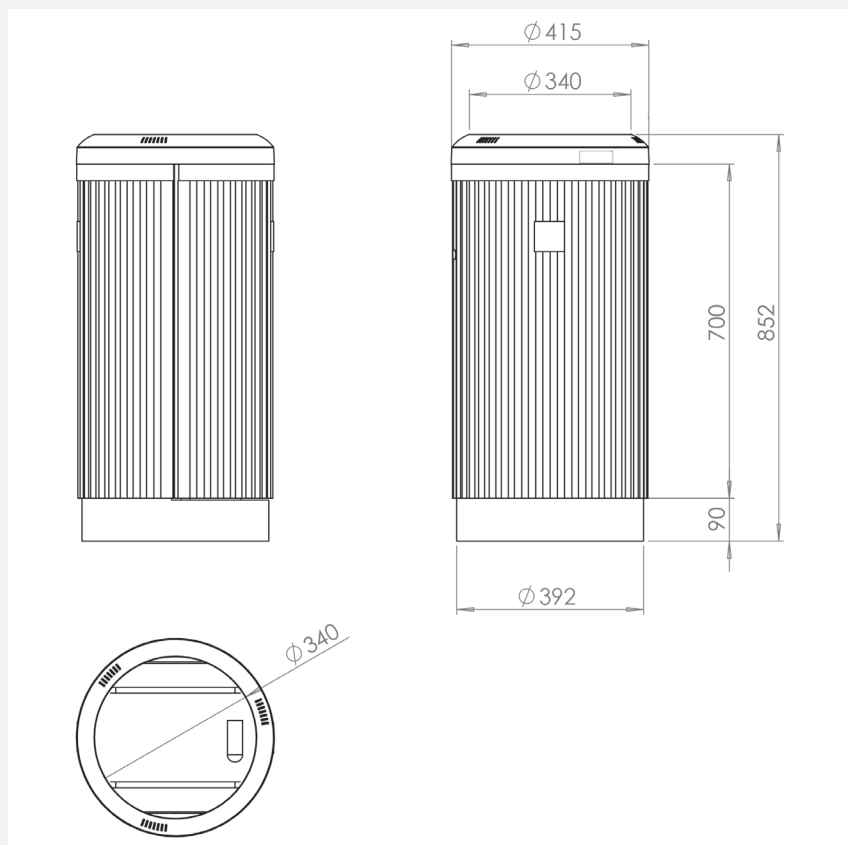
65 L
Basket capacity

852 mm
Height

415 mm
Maximum diameter



TECHNICAL SPECIFICATIONS



LITTER BINS

Atenea 80 L

GENERAL FEATURES

- CONTENUR'S Agora Series litter bins are designed with vertical grooves that reinforce the whole and make it difficult to stick posters and stickers.
- Manufactured in cast aluminium, with linear polyethylene rotomoulding or using injected high-density polyethylene.
- All litter bins are fitted with a triangular lock and key for smooth and easy handling.
- The 80 L and 130 L capacity litter bins have a support base integrated into the body and are fixed to the pavement with six anchor brackets, 12 mm wide, whilst the 50 L litter bin includes a fixing system made of highly-resistant technical plastic.
- A basket able to hold 50, 65 and 120 L, fitted with a handle to facilitate handling of the litter bin during emptying.
- The open-top filling area consists of a ring integral with the body to prevent the removal of the basket via the top.
- The circular 80 litre body into which the litter is deposited houses the door for emptying.
- 65 l basket has a reinforced ring in the upper part and is fitted with an integral handle to make emptying easier for maintenance staff.
- Anti-vandal support base is integrated into the body and is fixed to the pavement simply and securely by means of six 12mm universal expansion bolts.
- A cigarette extinguisher integrated into the body of the litter bin to help put out cigarette butts.
- Upon request there is the possibility of customizing the litter bin with an outside ashtray made of zinc plated painted ronoxide grey or stainless steel.
- Customisation using a plate on the body, maximum size: 62 x 62 mm.

EQUIPMENT AND ACCESSORIES

- Body, base and upper reinforcing rim made of cast sand-blasted aluminium, painted ronoxide grey.
- All metal parts are made of stainless steel or cast aluminium to prevent corrosion.

Model	Capacity	Basket Capacity	Height	Material
Italica 50 L	50 L	50 L	858 mm	PE
Diana 80 L	80 L	65 L	1028 mm	Aluminum
Atenea 80 L	80 L	65 L	852 mm	Aluminum
Minerva 130 L	130 L	120 L	1235 mm	PE



Italica 50 L



Diana 80 L



Atenea 80 L



Minerva 130 L

LITTER BINS

Atenea 80 L

CUSTOMISATION

Can be equipped with a range of accessories providing real solutions to every requirement ...



ASHTRAY



INTERNAL BASKET



CIGARETTE EXTINGUISHERS



CUSTOMISATION