

Single: 10 / 11 Kg
Twin: 16 / 18 Kg

Weight with support

Single: 20 / 30 L
Twin: 40 / 60 L

Capacity

Single: 400 mm
445 mm
Twin: 400 mm
445 mm

Basket height

Single: 250 mm
300 mm
Twin: 250 mm
300 mm

Basket diameter



FEATURES

The 20 or 30 litre capacity basket is made from 1.2 mm thick steel plate, in grey, with an upper reinforcing rim and locking bolt.

It is easy to remove for handling and emptying by maintenance staff.

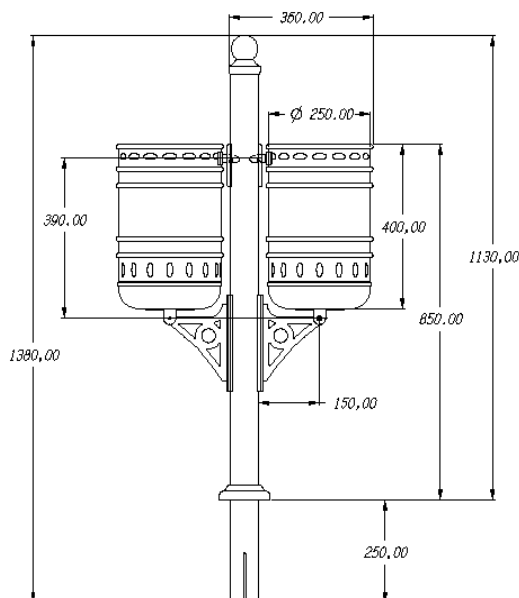
The single or twin support is made from 1.5 mm thick DIN 2448 ST 37 seamless steel tube, fitted with a side access lock which does not obstruct tipping of the basket.

The fixing mount system is carefully designed for easy switching between different capacity baskets.

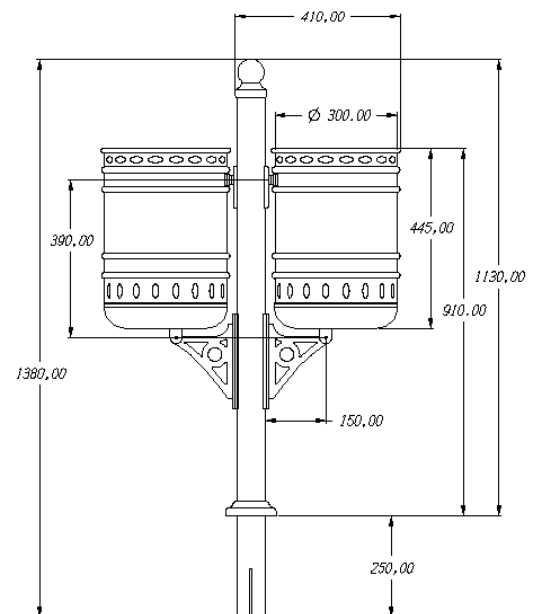
STANDARDS



Twin 40



Twin 60



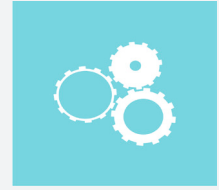
ATTIBUTES



QUALITY



ERGONOMIC



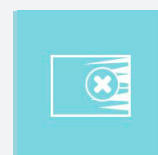
FUNCITONALITY



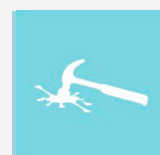
EQUIPMENT

All parts have been corrosion-treated by cataphoresis, which means the unit will have high resistance to extreme weather conditions plus it will not suffer from rust points.

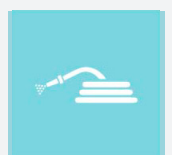
The Goya litter bin has a special powdered polyester finish, applied by robot and finished with automatic oven-hardening.



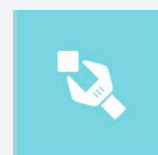
Anti-rust treatment



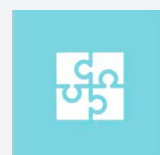
Resistant



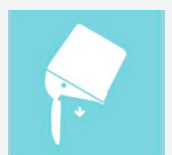
Easy to clean



Easier maintenance



Easier assmebled



Easier emptying