



FEATURES

Manufactured using injection moulded, solid-coloured high-density virgin polyethylene, stabilised against the combined effects of UV radiation and water.

Manufactured using environmentally-friendly recyclable materials.

Tough enough to withstand extreme weather, cold storage, acid or alkaline solutions, mould, detergents,- bacteria.

Stable colours with pigments that do not contain heavy metals.

Available with solid or perforated sides.

It is suitable for use with foodstuffs - official Health Registration Certification No: 3901279 /M

C-400 PERFORATED 4 feet, perforated sides and base

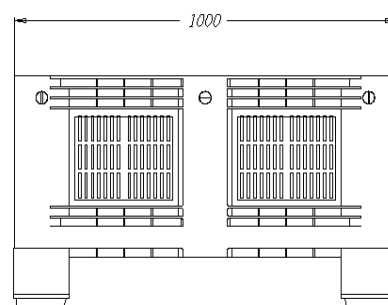
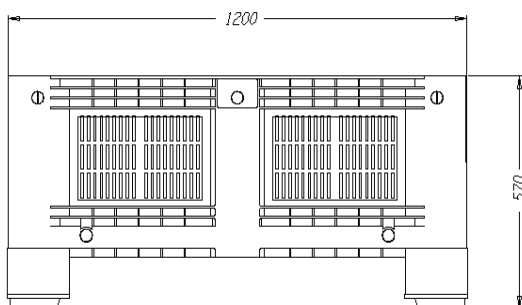
External dimensions : (mm) 1.200 x 1.000 x 570
 Capacity: 410 l.
 Fork entry height: 123 mm.
 Lid: 1.005 x 1.210 Weight: 3,75 kg.

Interior dimensions : (mm) 1.120 x 920 x 403
 Weight: 25,80
 Stacked container fork entry height: 100 mm.

C-400 SOLID 4 feet solid sides and base

External dimensions : (mm) 1.200 x 1.000 x 570
 Capacity: 410 l.
 Fork entry height: 123 mm.
 Lid: 1.005 x 1.210 Weight: 3,75 kg.

Interior dimensions : (mm) 1.120 x 920 x 403
 Weight: 26,70
 Stacked container fork entry height: 100 mm.



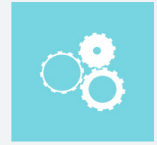
ATTRIBUTES



VERSATILITY



RESISTANT



FUNCTIONALITY



Official Health Certification
N° 3901279/M

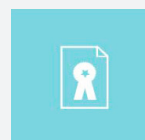
EQUIPMENT

The Technibox has one of the most comprehensive ranges of exclusive accessories on the market - they can be fitted easily and have been meticulously designed to fit the body perfectly:

- 4 to 9 feet.
- Drain cock.
- Reinforced ABS lid.
- Two or three skids.
- Label holder.



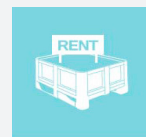
Foodstuffs



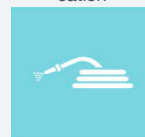
Health Certification



Easier maintenance



Renting



Easy to clean



Resistant to atmospheric conditions