

5,24 Kg
Weight

50L
Capacity

867 mm
Height

382 mm
Width



FEATURES

Injection moulded in solid-coloured high density polyethylene and stabilised against the combined effects of UV radiation and water plus it is resistant to bad weather, detergents, mould and bacteria.

Manufactured using environmentally-friendly recyclable materials.

Stable colours using pigments that do not contain heavy metals.

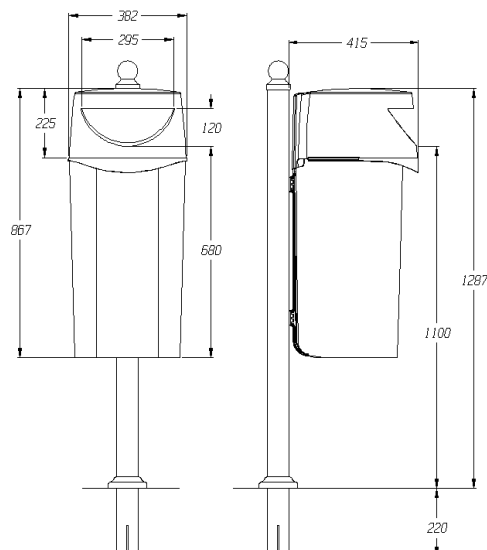
Its smooth surface prevents build-up of dirt and makes cleaning easier.

The lid and body align perfectly, preventing the ingress of water and enhancing the bin's appearance.

The upper part has a wide front opening designed to make it easier to insert waste, whilst at the same time hindering the dumping of bags of rubbish.

The 50 litre capacity body has a large front area ergonomically designed to facilitate handling and emptying.

Space on the front to display a customised embossed logo or thermal transfer graphic - maximum dimensions 180 x 180 mm.



ATTRIBUTES



QUALITY



ERGONOMIC



DESIGN



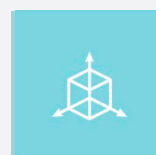
AVAILABLE IN A WIDE RANGE
OF COLOURS

EQUIPMENT

A locking system utilising a standard key is provided to prevent unauthorised use by people other than the maintenance team.

The mounting system comprises a robust frame produced in engineering plastic that facilitates easy installation on streetlamps, posts, walls ... and is designed to be easily replaced by the maintenance team in the event of vandalism.

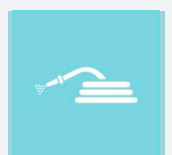
An ashtray can be supplied on request.



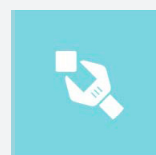
Design



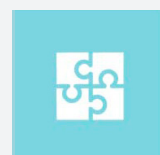
Customised



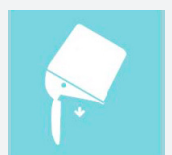
Easy to clean



Easier maintenance



Easier assembled



Easier emptying