
Technical specifications.
**A new concept
in recycling.**

OVAL 3000



138 Kg
Weight with pedal

3.000 L
Volume

According to standard
Load

1.190 mm
1.250 mm
Height of front opening

1.764 x 1.515 x 1.600 mm
Dimensions

890x200 mm
Circular opening
2x Ø200 mm
2x Ø400 mm
Circular opening dimensions

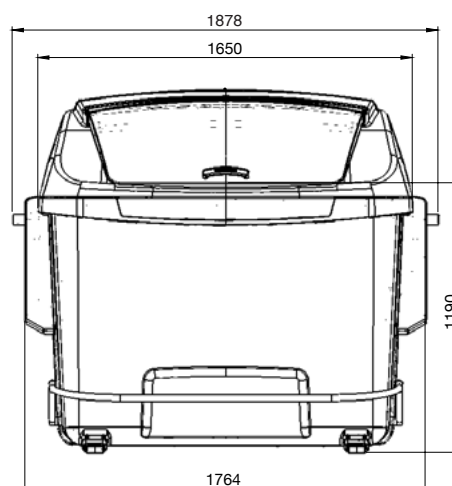
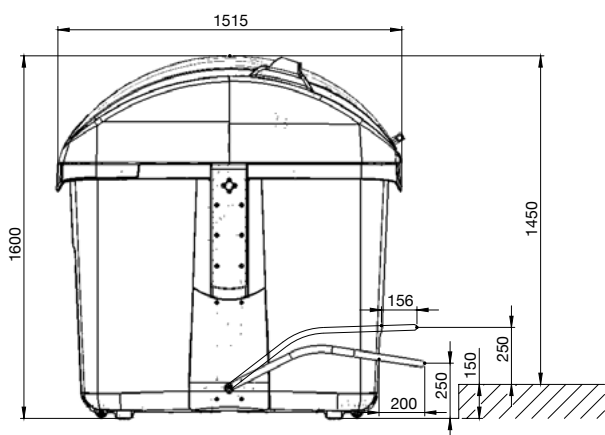
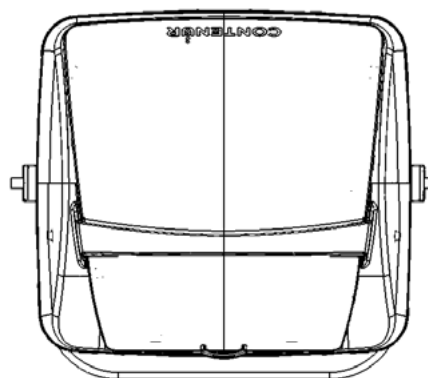


General

- Product designed to be fully **integrated in any environment**, with a total height of 1.600 mm, meaning it does not become a visual obstacle, allowing perfect visibility of the road and vehicles.
- Total opening of the user lid: **550 mm**.
- Pedal integrated in the container. Due to its wraparound form it does not represent an obstacle and allows the lid to be **opened without any strain** on its components. Adjustable height.
- Container body in **HDPE** injection.
- Lids in **HDPE** injection.
- **100% recyclable** at the end of its useful life and manufactured with up to 77% recycled material.
- Opening height between **1.190 and 1.250 mm** with minimum pedal effort, making it totally accessible.
- **Customisation:** large surface area for customisation on the body, and on the front and back edges.
- Designed to house **smart elements**.
- Standard **UNE EN 170001**. (certificate issued by accredited entity).

Oval 3000 Information

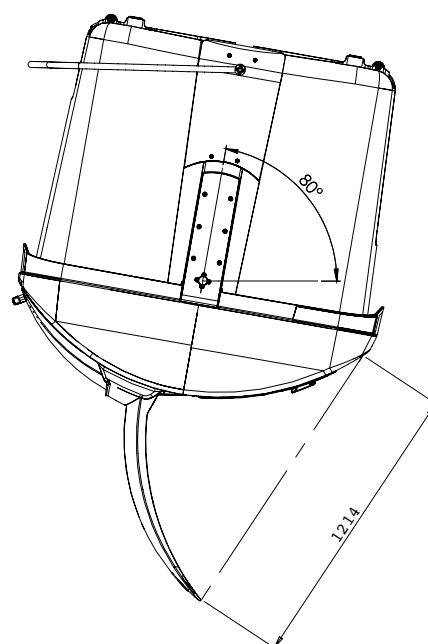
- Volume **3.000 L**
- Dimensions: **1.764 x 1.515 x 1.600 mm** (length x width x height).
- Designed for MSW, paper, plastics.



Characteristics

General

Waste	Waste, plastic, paper
Dimensions (mm)	1.764 x 1.515 x 1.600
Weight with pedal	138
Capacity (L)	3.000
Maximum load (kg)	According to standard
Circular opening (mm)	2x Ø200 / 2x Ø400
Height of front opening (mm)	1.250
Rectangular opening (mm)	890x200
Height of front opening (mm)	1.230
Lid opening	550
Height of rim (mm)	1.190



Oval 3000 Containers



Plastic



Paper



Others

Sustainability. Second real life for products

