

Definitive reinvention.
A new concept
of recycling.

OVAL



CONTENÜR

Definitive reinvention.

General features.

Oval 2000 / Oval 3000

Two models, the most comprehensive solution:

- **For the city**

Total integration in the urban environment, refined aesthetics and a large space for customisation.

- **For the public**

Simple to use, at a height that does not restrict visibility, elements that ensure easy access.

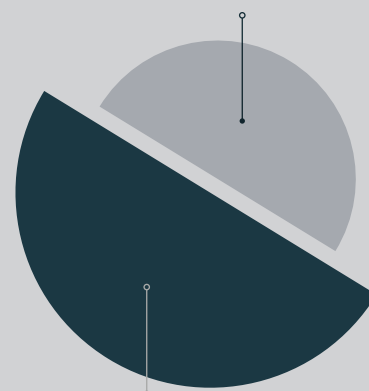
- **For the service company**

Simplified design that reduces maintenance. The most efficient solution.

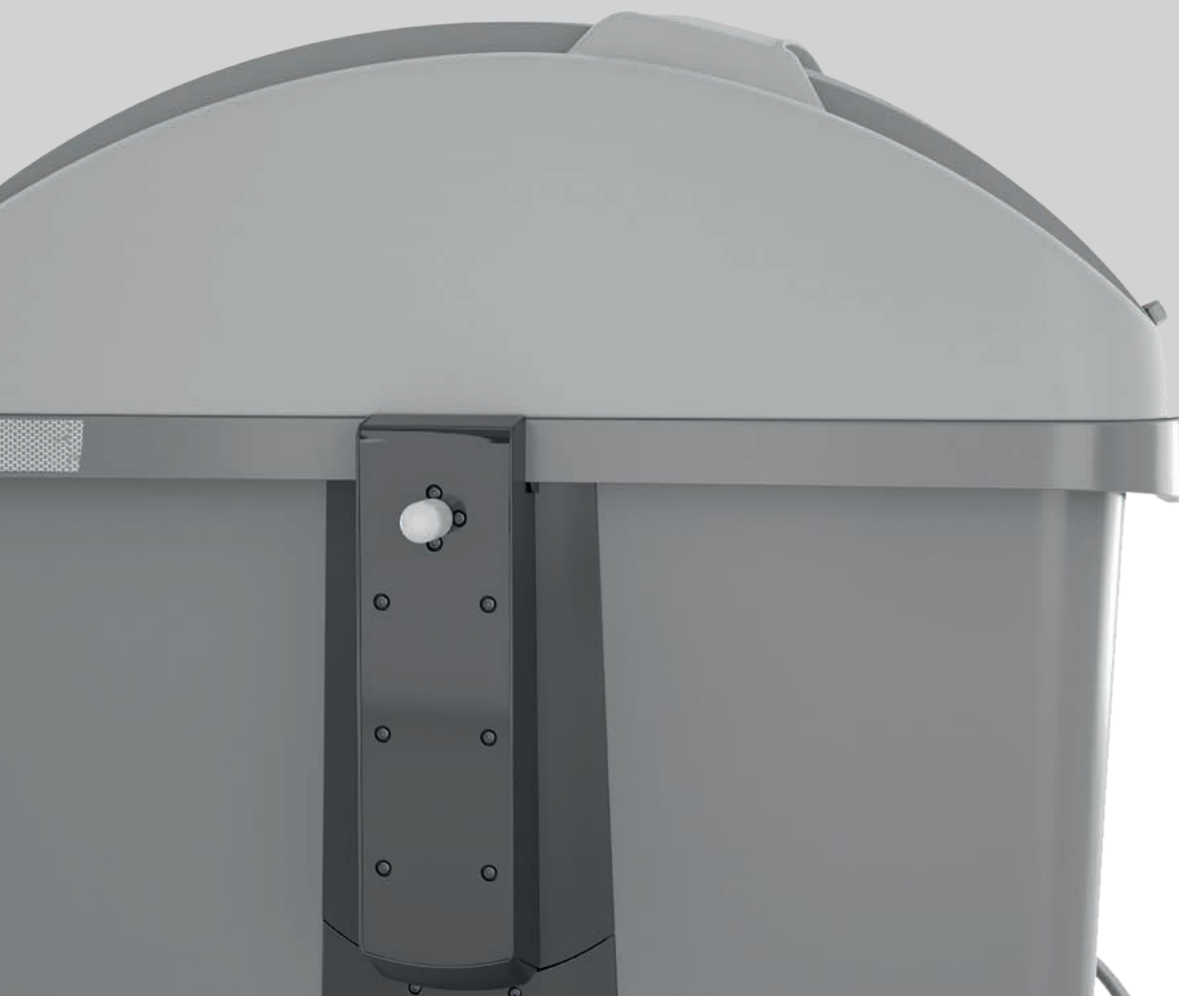
- **For the environment**

Specially designed to house smart elements, sensors and locks.

Height of front opening: 1.190 mm



Height: 1.600 mm





Main attributes.

DESIGN



The containers all have the same height and depth, and maintain a uniform aesthetic line in the islands for installation in public places.

Design. Total integration in the urban environment.

Rounded shapes and simplified lines. Each piece is designed to facilitate and maximise its use, and has a refined aesthetic so it can be completely integrated in the city. The containers all have the same height and depth, so they maintain a uniform aesthetic line in the islands for installation in public places, thus ensuring greater homogeneity and occupying less space.

Maximum height: 1.600 mm:

It offers passers-by total visibility without being a visual obstacle, adding to pedestrians' sense of security.





Main attributes.

SUSTAI NABILITY



The CIRCLE® project establishes priorities in resource management to integrate OVAL within the principles of the circular economy.

Sustainability.

100% recyclable product at the end of its useful life.

CONTENUR undertakes to give its containers a second life by recycling them in the manufacturing process after they have been withdrawn, so they can be treated and reused.

Recyclability

Within its CIRCLE® project, CONTENUR establishes resource management priorities to integrate OVAL based on the principles of the circular economy. OVAL is a container model that is 100% recyclable at the end of its useful life.

Commitment

CONTENUR undertakes to give its containers a second life by recycling them in the manufacturing process after they have been withdrawn. They are treated by separating the materials and converting the plastic parts into a substance for producing new containers, while the metal parts are reused for other purposes.



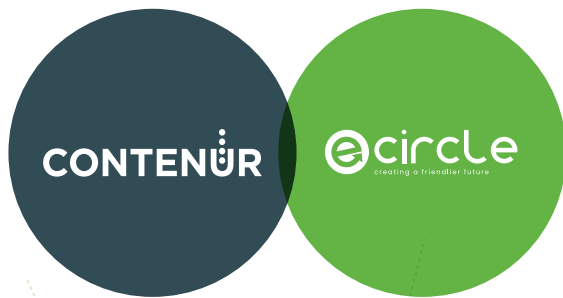
What is CIRCLE®?

General features.

CIRCLE® is the concept that encapsulates and defines CONTENUR's strategy, positioning, mode of action, obligations and developments in environmental sustainability.

OVAL is a 100% CIRCLE® container.

Within its CIRCLE® project, CONTENUR establishes resource management priorities to integrate OVAL based on the principles of the circular economy. OVAL is a container model that is 100% recyclable at the end of its useful life.



Circular economy, Recycling,
Sustainable Development...

This is CONTENUR's response to the current demand for a circular economy, recycling and development, and all the elements mentioned in the European Commission's recommendations for specific issues and actions regarding environmental sustainability and recycling plastic.

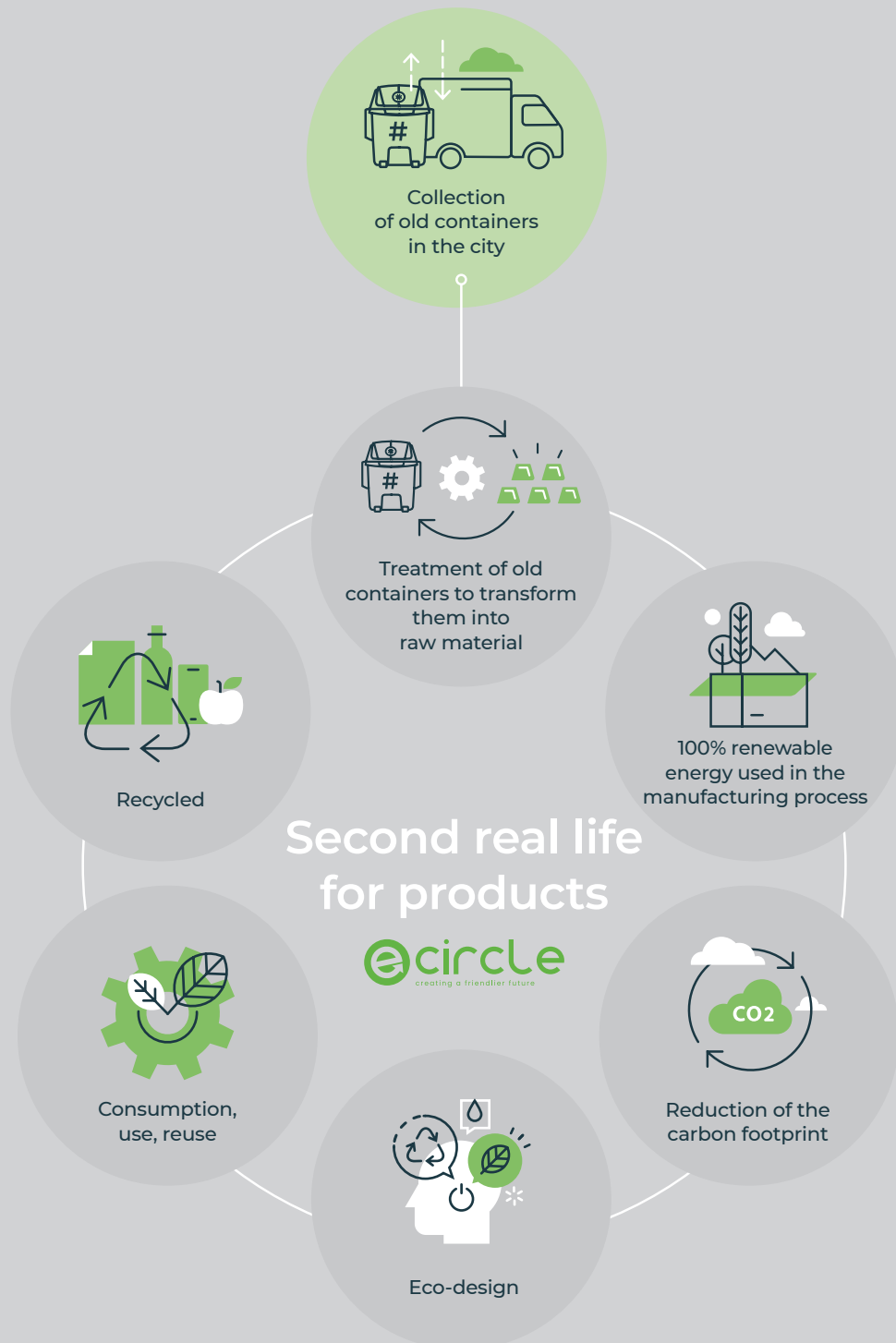
CIRCLE® proposition.

Short and medium term CIRCLE® commitments:

- **Product**
By 2025, 60% of the material for manufacturing the containers will come from recycled materials.
- **Design**
Certification of product eco-design standards according to UNE-EN ISO 14006 in 2019.
- **Environment**
 - Implementing the recommendations of the **Operation Clean Sweep (OCS)** programme to reduce the spillage of pellets in the environment. Compliance with this programme will be certified in 2019.
 - Greater **efficiency of resources**. Certification of energy management standards according to UNE-EN ISO 50001 in 2019.



Sustainability. Second life for products.





Nobis

Printen

Recycle

Green

Organic

Main attributes.

ERGO NOMIC



Lightweight lid with shock absorbers to slow lid closing and avoid slamming.

Ergonomic. Designed for ease of use.

The maximum height of the pedal at its lowest point is 250 mm from the ground, and the pedal can be pushed to the ground to fully open the lid.

- **External pedal.** OVAL integrates a pedal designed to ensure accessibility and ergonomics. The maximum height of the pedal at its lowest point is 250 mm from the ground, and the pedal can be pushed to the ground to fully open the lid, without generating any extra force on the lid.
- **Accessible to 1.190 mm.**
- **Lightweight user lid** with shock absorbers to slow lid closing and avoid slamming (include chart of lid opening).
- **Openings of Ø400 and Ø200 and paper opening 890 X 200.**
- **Electronic locks:** Reliable and adjusted integration to reduce incidents





Main attributes.

PERFOR MANANCE



Resistant and manufactured using the system of high-density polythene injection on the body and lids.

Performance. Efficient maintenance.

OVAL is a resistant container manufactured using the high density polythene injection system on the body and lids, with protection against UV rays to prolong its initial appearance over time.

Easy to clean:

- **Body with no ribbing** or corrugation.
- Gently **rounded** corners with no ribbing to avoid the accumulation of waste.

It has very few pieces and components, making it very efficient to maintain.





Main attributes.

CUSTOMI SATION



Resistant and manufactured using the system of high-density polythene injection on the body and lids.

Customisation. A whole array of possibilities.

Large space for customisation on the body (thermal transfer printing or vinyl), in addition to a sticker identifying the waste to make recycling easier for the public, as it includes graphics and icons, making it possible to quickly identify the container to be used.

Accessible containers:

OVAL can include container identification by means of Braille script on a metal plaque to make it easier for the visually impaired to use.

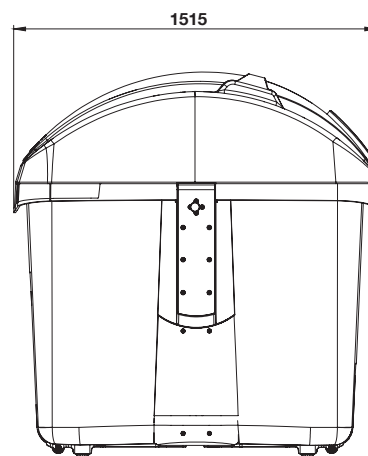
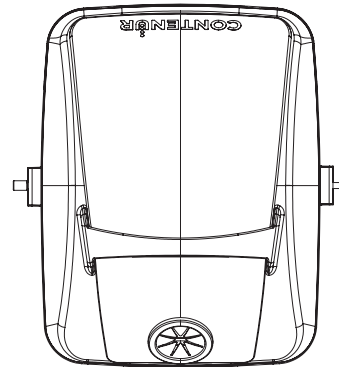
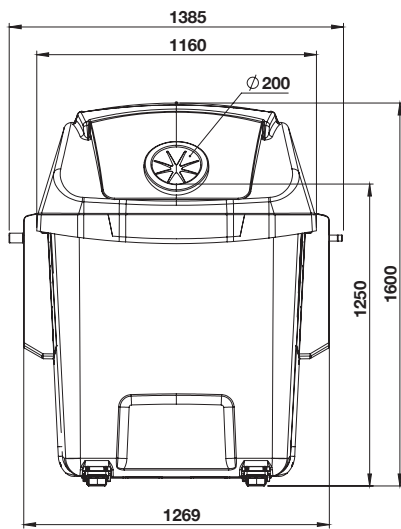
Waste identification sticker

Thermal transfer printing or vinyl



Oval 2000 Information.

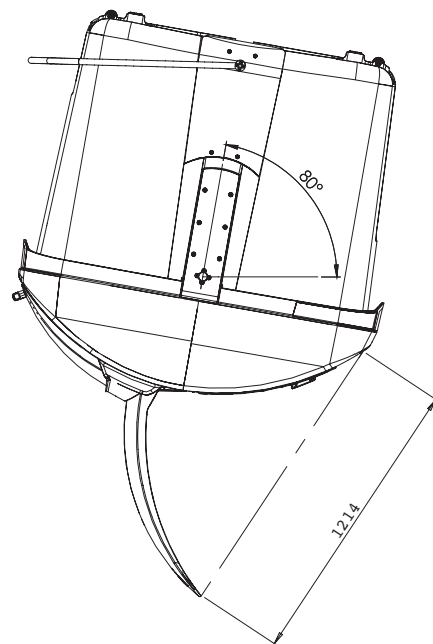
- Volume: 2.000L.
- Dimensions: 1.269 x 1.515 x 1.600 mm (length x width x height).
- Designed for waste, glass, organic waste.



Characteristics

General

Waste	Waste, glass, organic
Dimensions (mm)	1.269 x 1.515 x 1.600
Weight with pedal	116
Capacity (L)	2.000
Maximum load (kg)	According to standard
Circular opening (mm)	1x Ø200
Height of front opening (mm)	1.250
Lid opening	550
Height of rim (mm)	1.190



Containers.

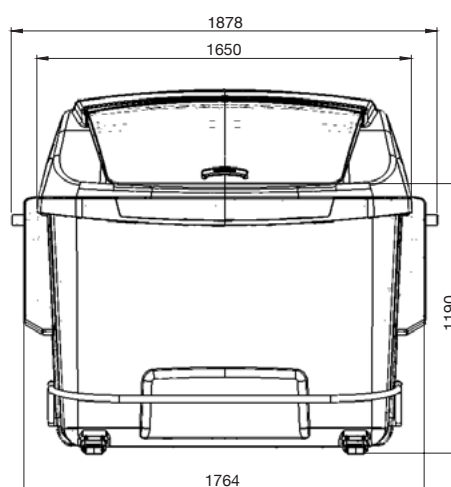
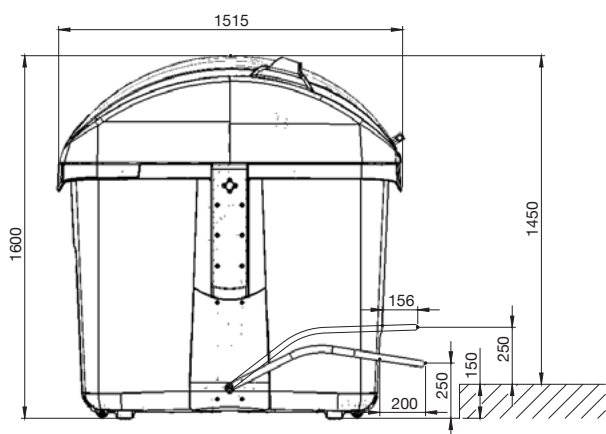
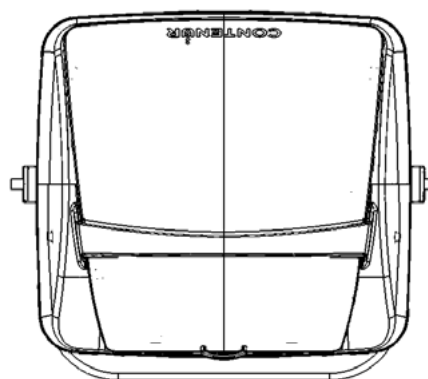
General features.

- Product designed to be fully **integrated in any environment**, with a total height of 1.600 mm, meaning it does not become a visual obstacle, allowing perfect visibility of the road and vehicles.
- Total opening of the user lid: **550 mm**.
- Pedal integrated in the container. Due to its wrap around form it does not represent an obstacle and allows the **lid to be opened without any strain** on its components. Adjustable height.
- Container body in **HDPE injection**.
- Lids in **HDPE injection**.
- **100% recyclable** at the end of its useful life and manufactured with up to 77% recycled material.
- Opening height between **1.190 and 1.250 mm** with minimum pedal effort, making it totally accessible.
- **Customisation**: large surface area for customisation on the body, and on the front and back edges.
- Designed to house **smart elements**.
- Standard **UNE EN 170001**. (certificate issued by the accredited entity).



Oval 3000 Information.

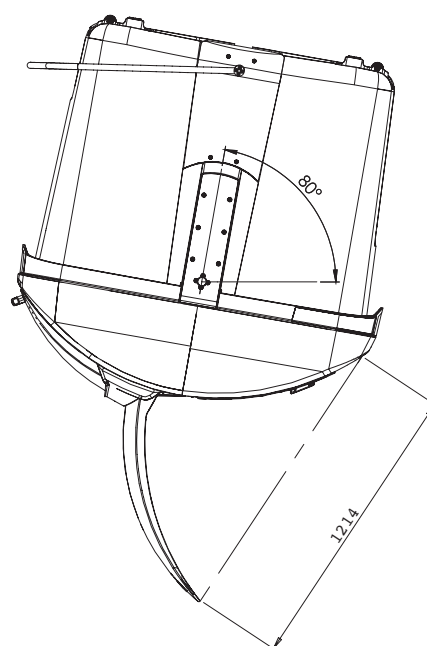
- Volume: **3.000L**.
- Dimensions: **1.764 x 1.515 x 1.600 mm** (length x width x height).
- Designed for MSW, paper, plastics.



Characteristics

General

Waste	Waste, plastic, paper
Dimensions (mm)	1.764 x 1.515 x 1.600
Weight with pedal	138
Capacity (L)	3.000
Maximum load (kg)	According to standard
Circular opening (mm)	2x Ø200 / 2x Ø400
Height of front opening (mm)	1.250
Rectangular opening (mm)	890x200
Height of front opening (mm)	1.230
Lid opening	550
Height of rim (mm)	1.190



Containers.

General features.

- Product designed to be fully **integrated in any environment**, with a total height of 1.600 mm, meaning it does not become a visual obstacle, allowing perfect visibility of the road and vehicles.
- Total opening of the user lid: **550 mm**.
- Pedal integrated in the container. Due to its wrap around form it does not represent an obstacle and allows the **lid to be opened without any strain** on its components. Adjustable height.
- Container body in **HDPE injection**.
- Lids in **HDPE injection**.
- **100% recyclable** at the end of its useful life and manufactured with up to 77% recycled material.
- Opening height between **1.190 and 1.250 mm** with minimum pedal effort, making it totally accessible.
- **Customisation**: large surface area for customisation on the body, and on the front and back edges.
- Designed to house **smart elements**.
- Standard **UNE EN 170001**. (certificate issued by the accredited entity).



Definitive reinvention.

Waste types



Oval 3000
MSW



Oval 3000
Paper



Oval 3000
Plastic

Definitive reinvention. Waste types



Oval 2000
Organic



Oval 2000
Glass



CONTENUR

Torneros 3
Pol. In. Los Ángeles
28906 Getafe
Madrid. España
contenur@contenur.es

www.contenur.com

This brochure is printed on Olin Regular AW paper, with FSC certification. We hope this booklet has exceeded your expectations. Please take into consideration the environment and recycle it at the end of your reading.

For additional copies or to consult the interactive catalog, please visit www.contenur.com

