

**1100<sub>L</sub>**  
Capacity

**440<sub>Kg</sub>**  
Nominal load

**200<sub>mm</sub>**  
Wheels diameter



## FEATURES

The body and lid are injection moulded in solid coloured high-density polyethylene.

Manufactured using environmentally-friendly recyclable materials. No heavy metals in the pigments.

Ideal for different types of waste collection: paper and cardboard, glass, packaging, organic matter, etc. ...

Available in a wide range of colours..

DIN, AFNOR, OSCHNER or VENTRAL lifting systems.

Customisation of lid with thermal transfer graphic, area: 230 x 45 mm.

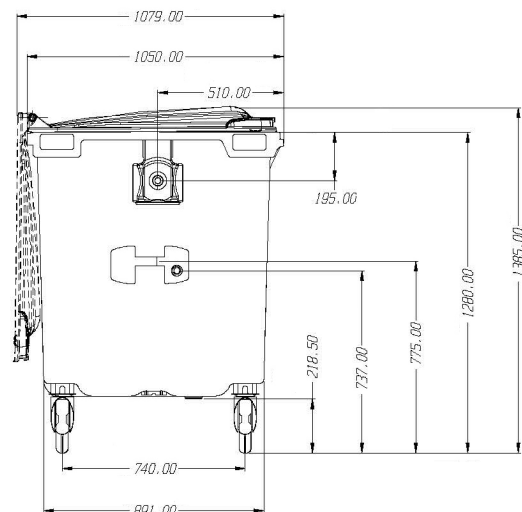
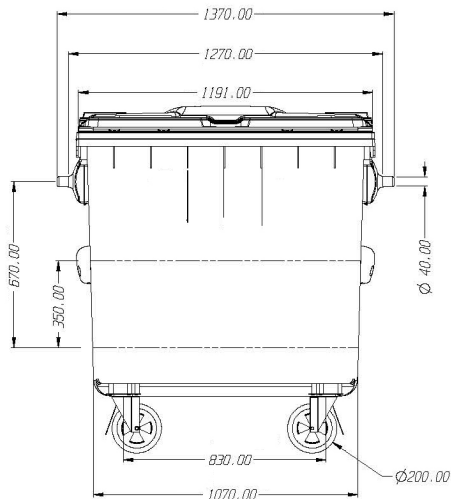
Customisation of body with thermal transfer graphic, area: 400 x 400 mm.

CE Marking with sound power level indicated in accordance with European Directive 2000/14/EC. 92 db.

UN certificate for the transportation of hazardous goods.

Product Approval Certificate awarded by TÜV Product Service GmbH in accordance with European Standard EN 840.

## STANDARDS



These dimensions are subject to the tolerances given in EN 840 N° F615682D/4-18/Rev.0.0

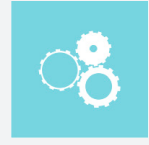
## ATTRIBUTES



QUALITY



ACCESIBILITY



FUNCTIONALITY

## ACCESSORIES



GLASS APERTURE



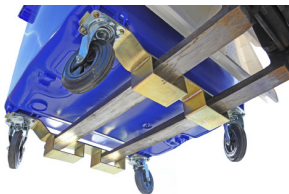
PLASTIC APERTURE



PAPER APERTURE



CENTRAL BRAKE SYSTEM



LIFTING SYSTEM



LID IN LID



PEDAL



AVAILABLE IN A WIDE RANGE OF COLOURS

## EQUIPMENT

200 mm diameter wheels.

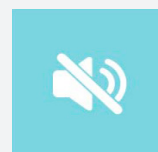
Openings with sizes and features specially designed to accommodate each type of waste, making them easy to use.

Integrated sound-proofing system in the lid.

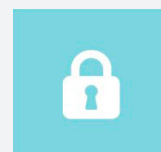
Integrated handles in the body and lid for easy handling.

Recess for electronic chips.

Can be equipped with a range of accessories providing real solutions to every requirement: pedal-operated lid opening, reflective strips, lock, side handle.



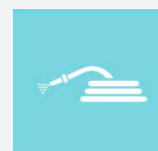
Sound-proofing



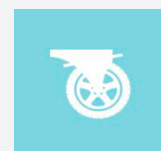
Lock



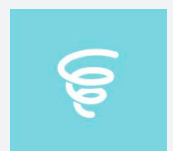
Easy to stack



Easy to clean



Brake



Shock absorber