

9,7 Kg
Weight
± 5%

180 L
Capacity

72 Kg
Nominal load

200 / 250 mm
Wheels diameter



FEATURES

The body and lid are injection moulded in solid coloured high-density polyethylene.

Manufactured using environmentally-friendly recyclable materials.

No heavy metals in the pigments.

Ideal for different types of waste collection: paper and cardboard, glass, packaging, organic matter, etc.

Available in a wide range of colours.

DIN lifting systems.

Customisation of lid with thermal transfer graphic, area: 230 x 45 mm.

Customisation of lid with an embossed logo, area: 340 x 220 mm.

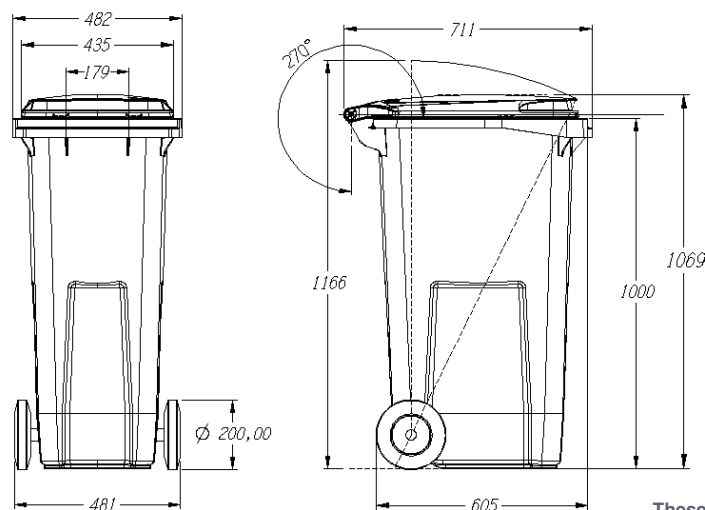
Customisation of body with silk screen or thermal transfer graphic, area: 280 x 290 mm.

CE Marking with sound power level indicated in accordance with European Directive 2000/14/EC. 81 db.

UN certificate for the transportation of hazardous goods.

Product Approval Certificate awarded by TÜV SÜD Product Service GmbH in accordance with European Standard EN 840: 2012 and specifications of RAL-GZ 951/1:2013.

STANDARDS



These dimensions are subject to the tolerances given in EN 840-1:2012.

ATTRIBUTES



QUALITY



ERGONOMICS



FUNCTIONALITY

ACCESSORIES



GLASS APERTURE



PLASTIC APERTURE



PAPER APERTURE



CUSTOMISATION



CUSTOMISATION



PEDAL



AVAILABLE IN A WIDE RANGE OF COLOURS

EQUIPMENT

200 / 250 mm diameter wheels.

Openings with sizes and features specially designed to accommodate each type of waste, making them easy to use.

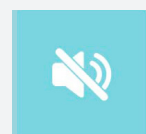
Integrated sound-proofing system in the lid.

Recess for electronic chips.

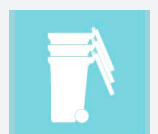
Can be equipped with a range of accessories providing real solutions to every requirement: pedal-operated lid opening, reflective strips, lock, side handle.



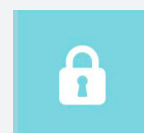
Electronic Chip



Sound-proofing



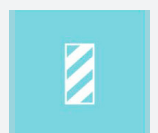
Easy to stack



Lock



Customisation



Reflective strips