

REAR LOADING CONTAINERS – 4 WHEELS

Clinical waste containers

Operating and Use Instructions for Clinical Waste Containers or ADR - C800/770 Litres according to EN 840-2 and UN standards - Large Packaging (50H)



INSTRUCTIONS

- These operating instructions contain useful information for the user. The information is necessary for the proper handling of ADR waste containers.
- To obtain more information about the C800 and C1100 litres, please consult the CONTENÜR website, as well as the EN 840-2, EN 840-5, EN 840-6 standards and the certificates in accordance with the UN "Large packaging" standard that correspond to this type of container.
- Certified containers for the storage and transportation of infectious waste materials class 6.2 - subdivision I3 for clinical waste.
- The containers are designated for the collection of ADR waste (according to EN 3291 standard) for which legal transport regulations apply (see RD 551/2006, RD 412/2001, ADR Regulations, RID Regulations, IMDG Amendment 34.08).

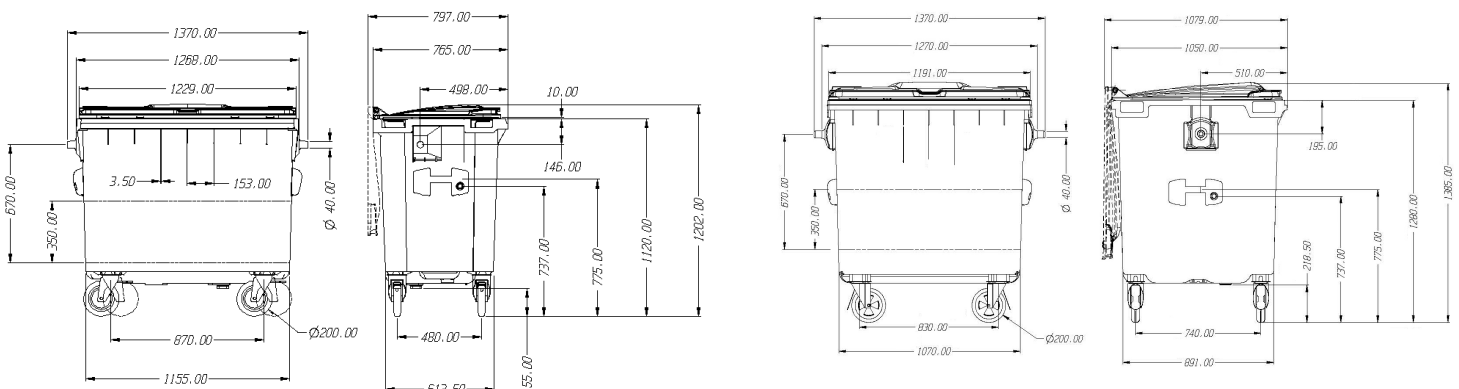
**770 L
1100 L**
Capacity

**C770: 264 Kg
C1100: 440 Kg**
Nominal load

**C770: 160/200 mm
C1100: 200 mm**
Wheel diameter

C800 L

C1100 L

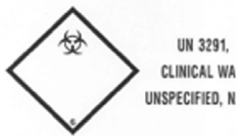


REAR LOADING CONTAINERS – 4 WHEELS

Clinical waste containers

UN personalisation and ADR waste marking

- The containers have been certified according to the UN standard for Large Packagings and are marked with the following registration: C800 / C1100 UN 50H/Y/*E/**/SE-0015/0/**
- This hazardous waste marking must be made on both sides of the container body, right and left side of the 4-wheel containers: C800 y C1100L



C800 / C1100 waste filling

- Containers other than those for which they have been tested and approved may not be used to store and transport ADR waste.

Locks and bottom cap

- The containers are supplied without a bottom cap and with a manual lock that can only be used by authorised personnel.



Handles

- The containers have two handles on the sides of the body. It has an easy grip for better handling.



REAR LOADING CONTAINERS – 4 WHEELS

Clinical waste containers

Wheels

- The wheel steering lock accessory is optional when the container is to be used with a trailer system.
- As an option, the CONTENUR four-wheel containers C800 and C1100 can be equipped with non-marking grey wheels.



Other accessories

- For special accessories and equipment, please refer to the product information at www.contenur.com