

REAR LOADING CONTAINERS – 2 WHEELS

Clinical waste containers

Operating and Use Instructions for Clinical Waste Containers - C240/C360 Litres according to EN 840-1 and UN - 3291



INSTRUCTIONS

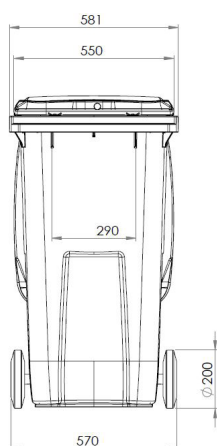
- These operating instructions contain useful information for the user. The information is necessary for the proper handling of ADR waste containers.
- To obtain more information about the C240 and C360 litres, please consult the CONTENUR website, as well as the EN 840-1, EN 840-5, EN 840-6 standards and the certificates according to the UN 3291 standard that correspond to this type of container.
- Certified containers for the storage and transportation of infectious waste materials class 6.2 - subdivision I3 for clinical waste.
- The containers are designated for the collection of ADR waste (according to EN 3291 standard) for which legal transport regulations apply (see RD 551/2006, RD 412/2001, ADR Regulations, RID Regulations, IMDG Amendment 34.08).

240 L
360 L
Capacity

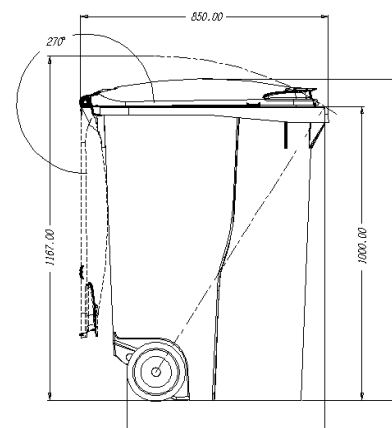
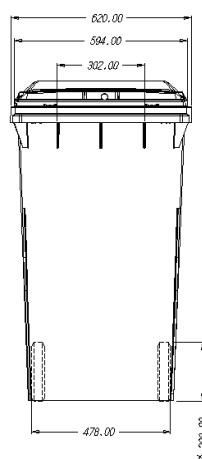
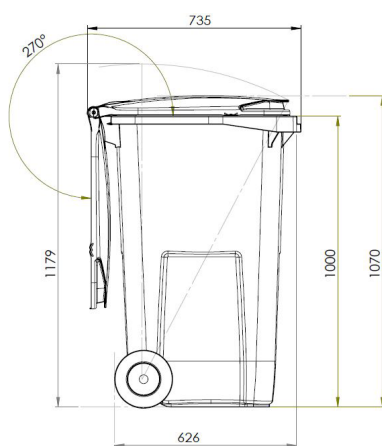
C240: 96 Kg
C360: 136 Kg
Nominal load

C240: 200/250 mm
C360: 200/300 mm
Wheel diameter

C240 L



C360 L



REAR LOADING CONTAINERS – 2 WHEELS

Clinical waste containers

UN personalisation and ADR waste marking

- The containers have been certified according to UN 3291 standard and are marked with the following registration: C240 / C360 UN 50H/Y/*E/**/SE-0015/0/**
- This hazardous waste marking must be made on both sides of the container body, right and left side of the 2-wheel containers: C240 and C360L..



C240 / C360 waste filling

- Containers other than those for which they have been tested and approved may not be used to store and transport ADR waste.

Locks

- The containers are always supplied with a manual lock that can only be used by authorised personnel.



Handles

- The containers have a rear handle integrated into the body. It has an easy grip for better handling.



Other accessories

- For special accessories and equipment, please refer to the product information at www.contenur.com.