

C2400

2400 Kg
Capacity

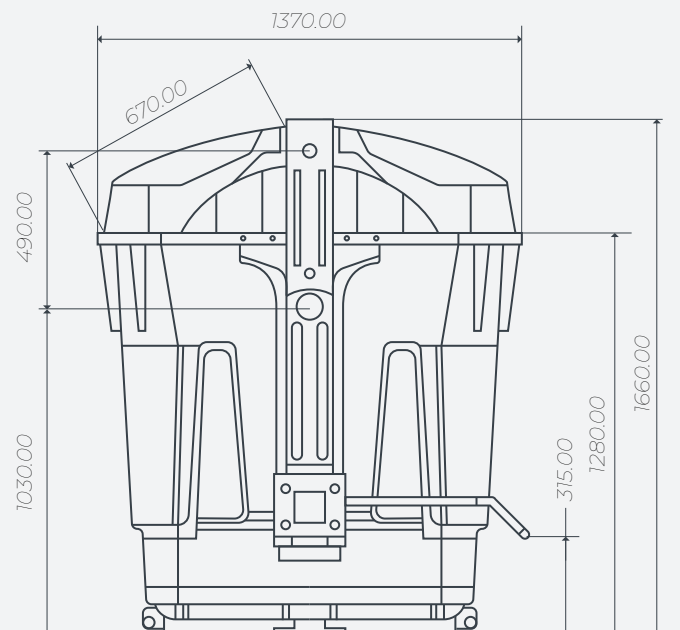
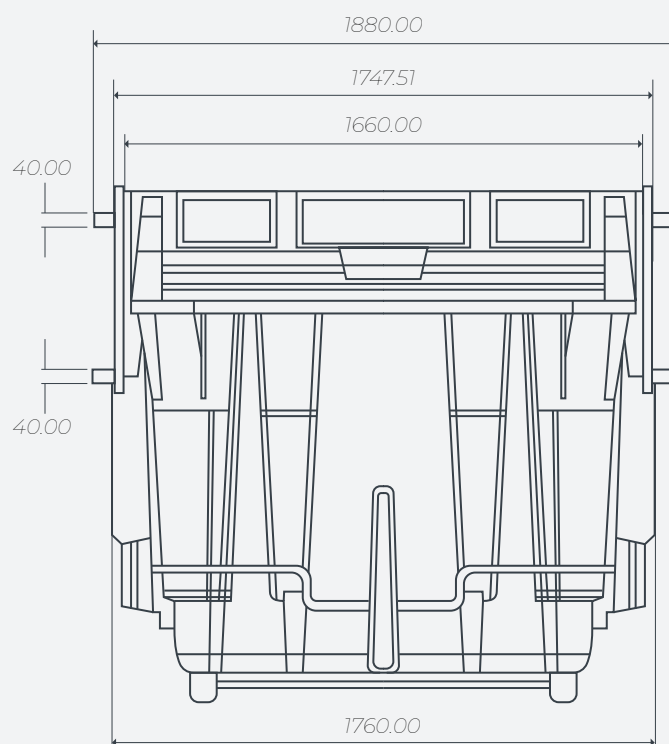
135 Kg
Weight

960 Kg
Nominal load

1280 mm
Loading height



TECHNICAL SPECIFICATIONS



SIDE LOADING CONTAINERS

C2400

FEATURES

- CONTENÜR side-loading containers stand out due to their ease of use and emptying. They can include Smart Elements, which provide real-time information.
- Injection-manufactured with high density polyethylene and materials that respect the environment, they have the most demanding quality and product certifications.
- The CONTENÜR side-loading containers are designed for easy, streamlined and efficient cleaning and maintenance in optimum operating conditions.
- No heavy metals in the pigments used.

STANDARDS

- Product Approval Certificate awarded by TÜV Service GmbH in accordance with European Regulation EN 12574.
- CE Marking with sound power level shown in accordance with European Directive 2000/14/EC 75,6 db.
- Accessibility certificate according to UNE EN standard 170001.



EQUIPMENT AND ACCESSORIES

- Ergonomic design that perfectly adapts to the different types of selective collection: paper and cardboard, glass, plastics, packaging, organic waste, etc
- Shock absorber to safely and silently close the lid.
- Recess for the installation of electronic chips.
- Elastic sliders to better adapt the container to the ground.
- Openings with sizes and features specially designed to accommodate each type of waste.
- Possibility of customising body and lid of the container with shields, logos, etc. using the thermal transfer graphic system or stickers.
- Customisation of body with thermal transfer graphic, maximum size: 400 x 400 mm.

Model	Capacity	Weight	Nominal load	Loading height
C2400	2400 L	135 Kg	960 Kg	1280 mm
C3200 D	3200 L	146 Kg	1280 Kg	1263 mm



C2400



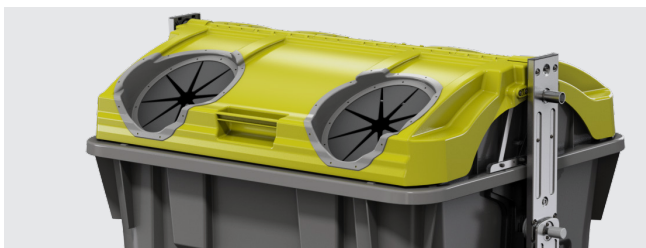
C3200D

SIDE LOADING CONTAINERS

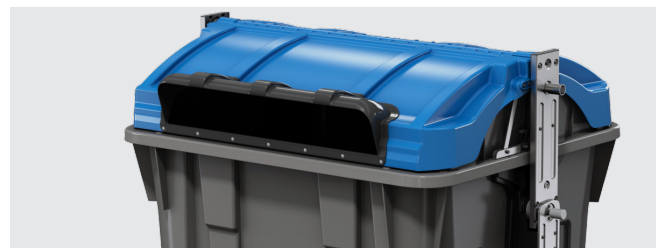
C2400

CUSTOMISATION

Can be equipped with a range of accessories providing real solutions to every requirement ...



MIXED RECYCLING



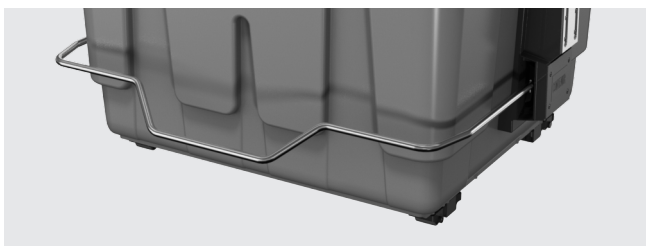
PAPER AND CARDBOARD



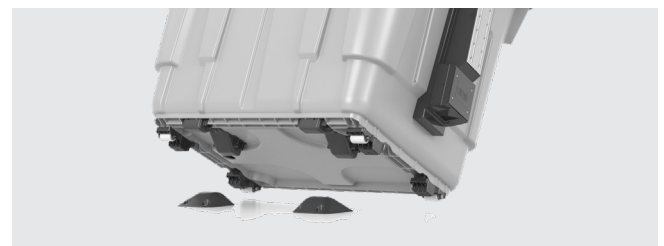
LID IN LID



ACCESSIBLE OPENING



PEDAL



ALIGNMENT SYSTEM



WIDE RANGE OF COLOUR