

LITTER BINS

**Goya**

**20 L**  
Capacity

**20 L**  
Basket capacity

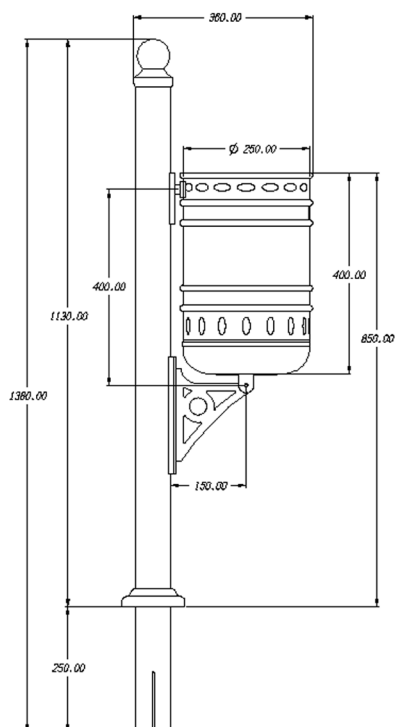
**400 mm**  
Basket Height

**250 mm**  
Basket diameter

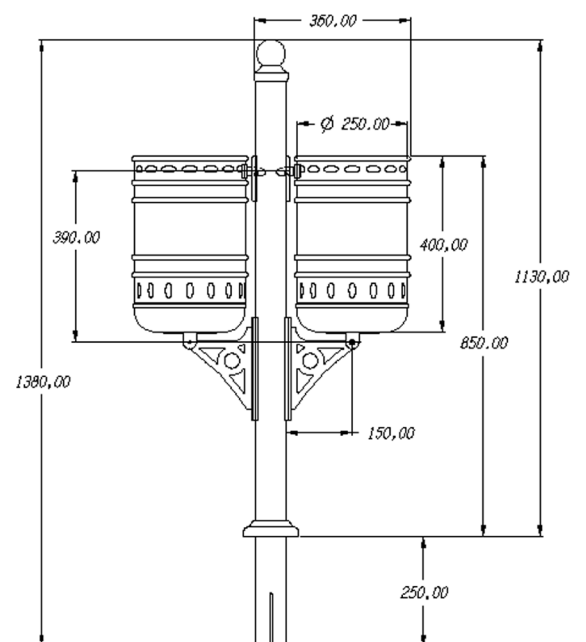


**TECHNICAL SPECIFICATIONS**

GOYA 20 L



DOUBLE GOYA 40 L



## LITTER BINS

# Goya

### GENERAL FEATURES

- Our Goya litter bins are made of galvanised steel and are designed with a smooth surface area to facilitate cleaning.
- The fixing support has a simple design to allow varying-capacity baskets to be easily interchanged.
- All litter bins have a tilting system, through a side access lock, which facilitates handling of the litter bin during the emptying process.
- They are treated with powdered polyester paint for the outdoors. The standard colour is Oxiron Grey.
- Also upon request, Goya litter bins may be supplied with an outside ashtray made of stainless steel.
- The single or twin support is made from 1.5 mm thick DIN 2448 ST 37 seamless steel tube, fitted with a side access lock which does not obstruct tipping of the basket.
- The fixing mount system is carefully designed for easy switching between different capacity baskets.
- All parts have been corrosion-treated by cataphoresis, which means the unit will have high resistance to extreme weather conditions plus it will not suffer from rust points.
- The Goya litter bin has a special powdered polyester finish, applied by robot and finished with automatic oven-hardening.

### EQUIPMENT AND ACCESSORIES

- The basket is able to hold 20 or 30 litres, and is manufactured in steel plate, 1.2 mm thick, with an upper reinforcing rim.
- Upon request, litter bin capacity may be doubled by placing two baskets (40 L or 60 L).

ASHTRAY



Model	Capacity	Basket Height	Basket Diameter	Material
Goya	20 L	400 mm	250 mm	Steel
	30 L	445 mm	300 mm	Steel
Double Goya	40 L	400 mm	250 mm	Steel
	60 L	445 mm	300 mm	Steel



Goya



Double Goya