

8,5 Kg
Weight with support

50L
Capacity

858 mm
Height

375 mm
Maximum width



FEATURES

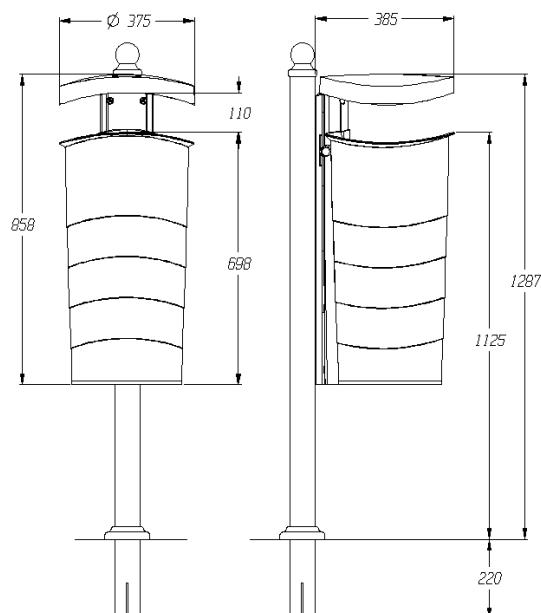
The body and lid are injection moulded in solid coloured high-density polyethylene.

Manufactured using environmentally-friendly recyclable materials.

No heavy metals in the pigments.

Customisation: Body – printing or badge – maximum size: 190 x 190 mm. Lid – photo transfer print – 370 x 150 mm or 78 mm diameter. Lid option – 78 mm diameter embossing insert.

STANDARDS



ATTRIBUTES



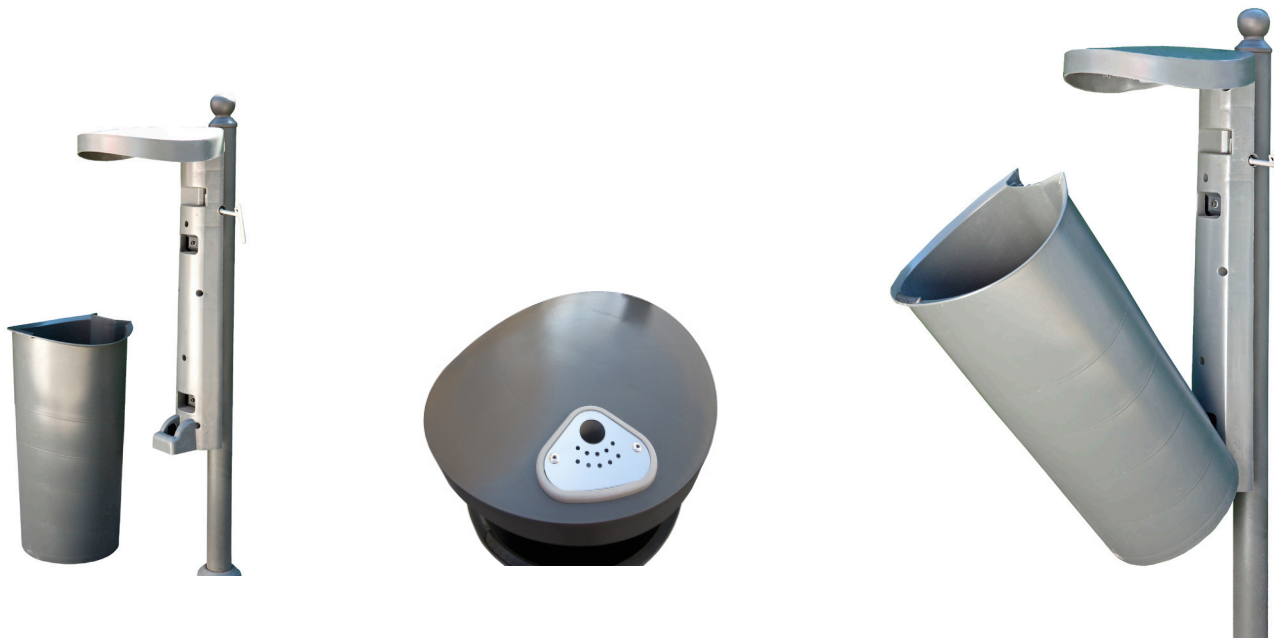
QUALITY



ERGONOMIC



DESIGN



EQUIPMENT

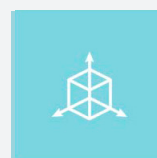
The filling area is covered by a lid attached to the fixing bracket, providing almost 360 degrees of access for depositing litter.

The 50 litre high-density polyethylene basket is fitted with a locking system, employing a standard triangular key, preventing access other than by collection and maintenance staff.

The body incorporates a cigarette stubber; an ashtray can be supplied on request.

The vandal-resistant fixing post is made from I.H.A F- 112 steel tube and electro-plated to prevent rusting.

The mounting system, produced in engineered plastic, provides a robust frame that stays fixed inside the bin and facilitates easy installation to lampposts, posts and fences.



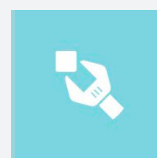
Design



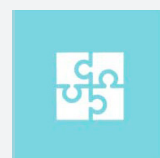
Customised



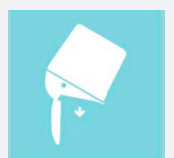
Easy to clean



Easier maintenance



Easier assembled



Easier emptying