

**80<sub>L</sub>**  
Capacity

**32<sub>Kg</sub>**  
Nominal load

**200<sub>mm</sub>**  
Wheels diameter



## FEATURES

The body and lid are injection moulded in solid coloured high-density polyethylene.

Manufactured using environmentally-friendly recyclable materials. No heavy metals in the pigments.

Ideal for different types of waste collection: paper and cardboard, glass, packaging, organic matter, etc. ...

DIN lifting systems.

Customisation of lid with thermal transfer graphic, area: 230 x 45 mm.

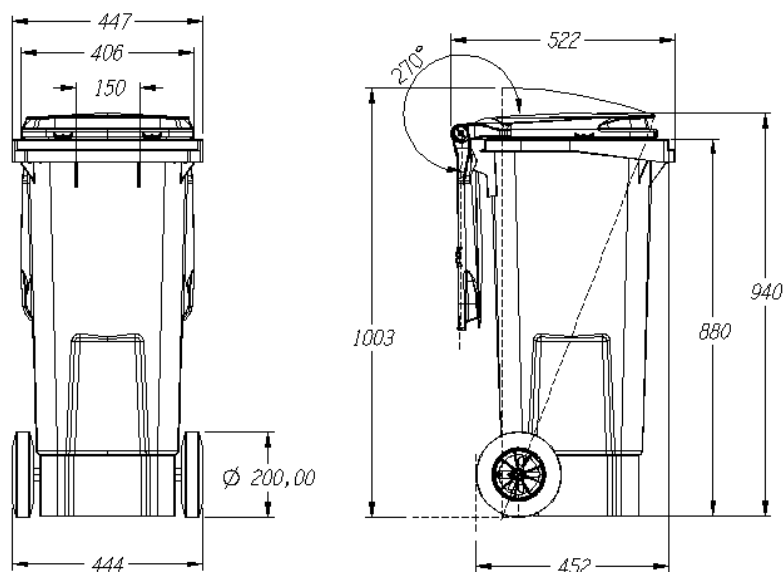
Customisation of lid with an embossed logo, area: 340 x 220 mm.

Customisation of body with silk screen or thermal transfer graphic, area: 280 x 290 mm.

CE Marking with sound power level indicated in accordance with European Directive 2000/14/EC. 79 db.

Product Approval Certificate awarded by TÜV SÜD Product Service GmbH in accordance with European Standard EN 840-1: 2013 and specifications of RAL-GZ 951/1:2013.

## STANDARDS



These dimensions are subject to the tolerances given in EN 840-1: 2013.

J543981B / 25-2-15 / Rev 0.0

## ATTRIBUTES



QUALITY



ERGONOMICS



FUNCTIONALITY

## CUSTOMISATION



GLASS OPENING



PLASTIC AND PACKAGING  
OPENING



PAPER OPENING



AUTOMATIC LOCK



CUSTOMISATION  
BY THERMAL TRANSFER  
GRAPHIC



PEDAL

## EQUIPMENT FOR ALL NEEDS

200 mm diameter wheels.

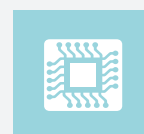
Openings with sizes and features specially designed to accommodate each type of waste, making them easy to use.

Integrated sound-proofing system in the lid.

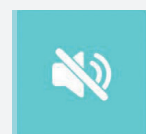
Recess for electronic chips.

Can be equipped with a range of accessories providing real solutions to every requirement: pedal-operated lid opening, reflective strips, locks, side handle...

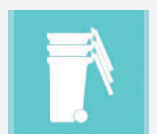
CONTENUR products can be supplied on order in a wide variety of colours.



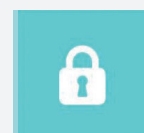
Electronic Chip



Sound-proofing



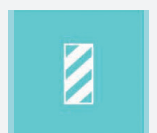
Easy to stack



Manual and  
Automatic lock



Numbering



Reflective strips