

Flush pull handle, Round, Ø80 mm

Knud Holscher Collection

d line

PRODUCT DATA SHEET

ITEM NUMBER	SURFACE
14.3900.02.077	Satin Stainless Steel
16.3900.01.077	Polished stainless steel

PRODUCT
Flush pull handle, Round, Ø80 mm, Satin finish

PICTURE



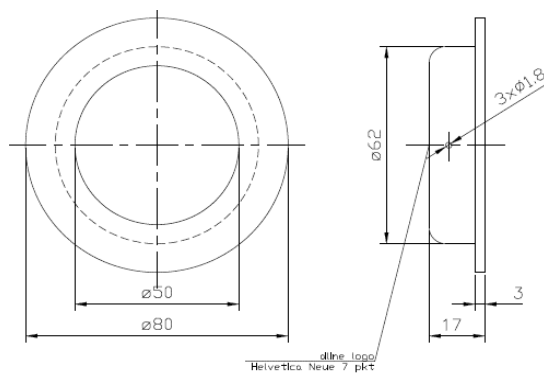
TENDER TEXT

Flush pull handle. Outstanding classic danish design by Knud Holscher.
Material: stainless steel AISI 316 satin finish, round. Radius: Ø80. W:80 mm x H:80 mm x D:17 mm.

PRODUCT SPECIFICATION

Dimensions: W:80 mm x H:80 mm x D:17 mm.
Radius:Ø80
Material: stainless steel AISI 316
Surface finish: satin grain 320, crafted by hand
Warranty for stainless steel (non movable) parts - 20 years

DRAWING



SPARE PARTS / ACCESSORIES:

MOUNTING:
See instruction supplied with the product

PACKING:
1pcs in a bag

ISO-DRAWING

CERTIFICATES & AWARDS

Tested by EN 1906 fire grade

PRODUCT CARE

d line products are produced in the highest quality stainless steel, marine grade, AISI 316. To sustain the unique d line finish appearance please follow the below instructions:

- Wash down the surfaces using soapy water or mild detergent
- Always thoroughly rinse off with clean water
- To complete the cleaning procedure dry/polish the surfaces with a soft dry cloth

Please do not use scouring powder, steel wool, chloride based detergents or other aggressive cleaning products as these may damage the surface.
If spots or corrosion appear on the surface it is not due to the stainless steel quality, but to impurities in the environment, aggressive conditions or improper or insufficient cleaning.