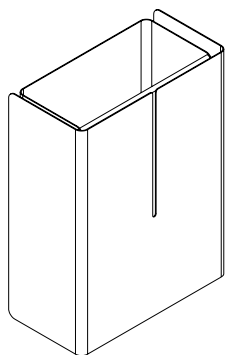


# FROST

D E N M A R K

NOVA2  
PAPER BIN

Fitting instruction  
Montageanleitung  
Monteringsvejledning  
Monteringsvægledning  
Montage hanleiding  
Manuel de montage



### Exclusion of liability

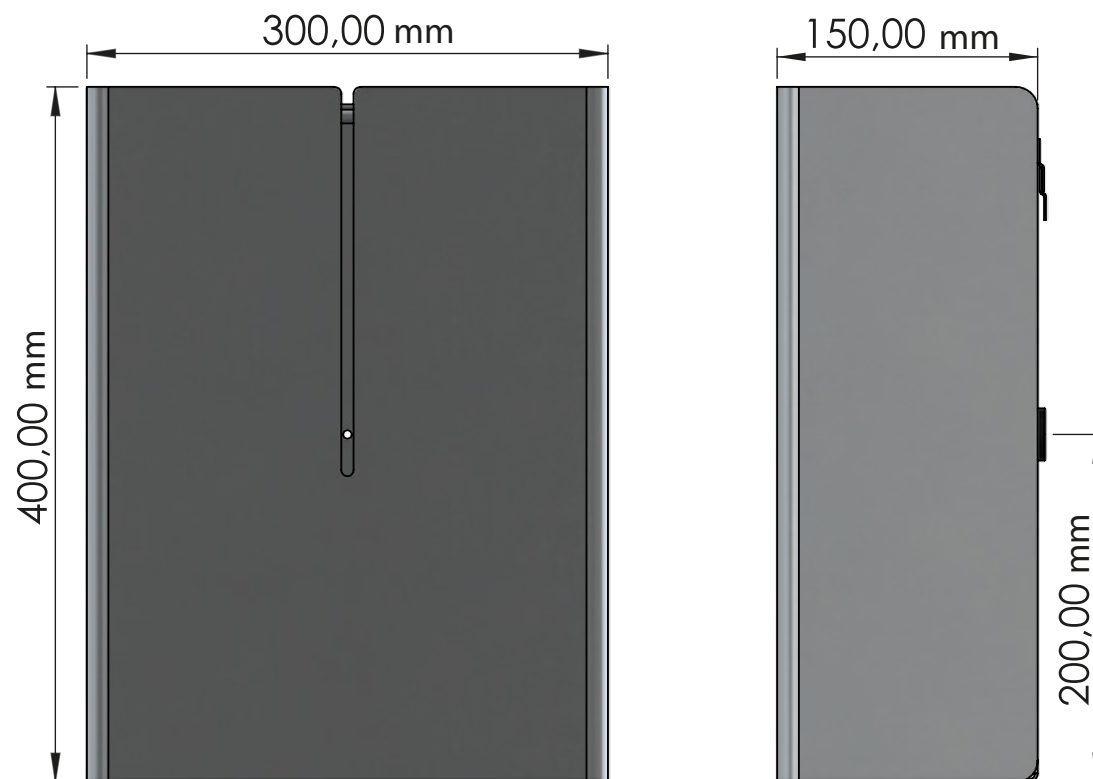
FROST accepts no liability whatsoever for damage to persons or property that occurs or has occurred as a result of improper installation or maintenance, particularly if the safety instructions and other points to note listed are not or have not been observed in full.

### Warning and hazard notices

Improper mounting or use can lead to accidents and serious injuries.

301

Suggested bag size:  
500x600mm (30 litres)

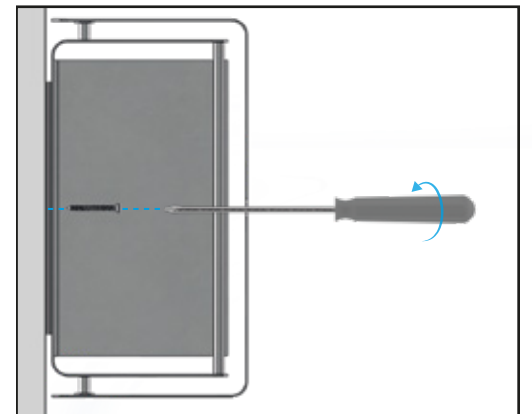
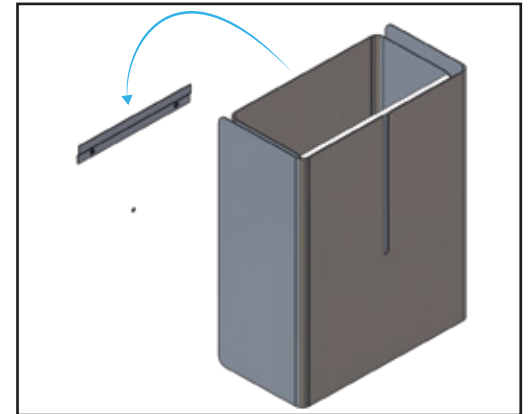
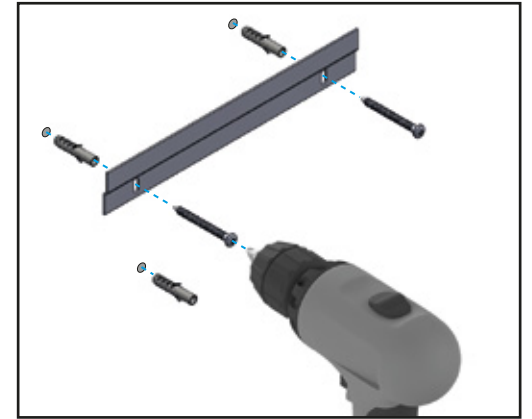
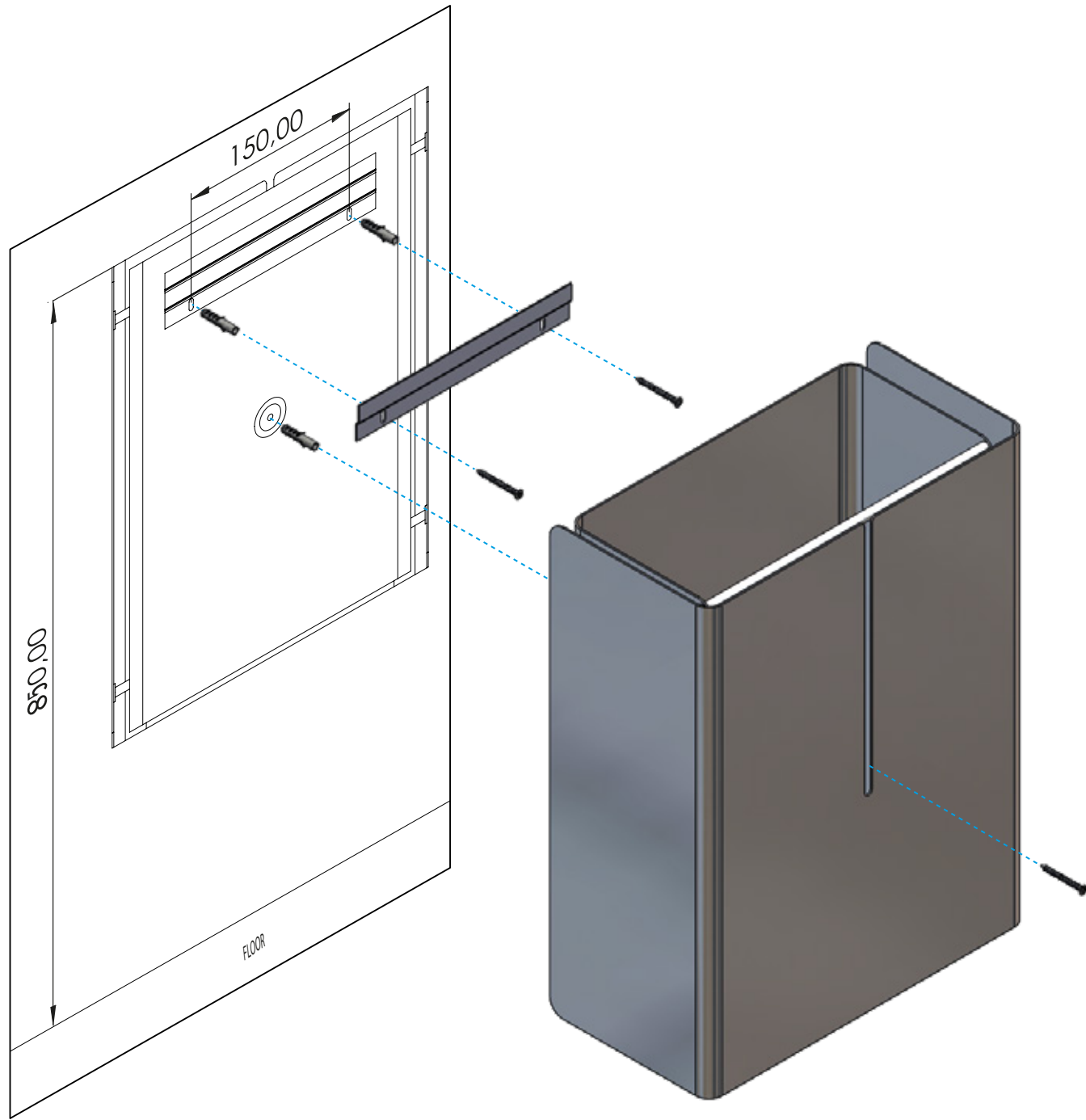


### Cleaning and maintenance

Stainless steel surfaces should be cleaned with a microfibre cloth, glass cleaner or other non abrasive and gentle agents.

### Attention:

Never use solvents or aggressive household cleaners like bleach, acids (e.g. descalers) or ammonia-based bathroom cleaner to clean the product. Steel wool and hard brushes can permanently damage the surface of the steel.



**FROST**  
DENMARK

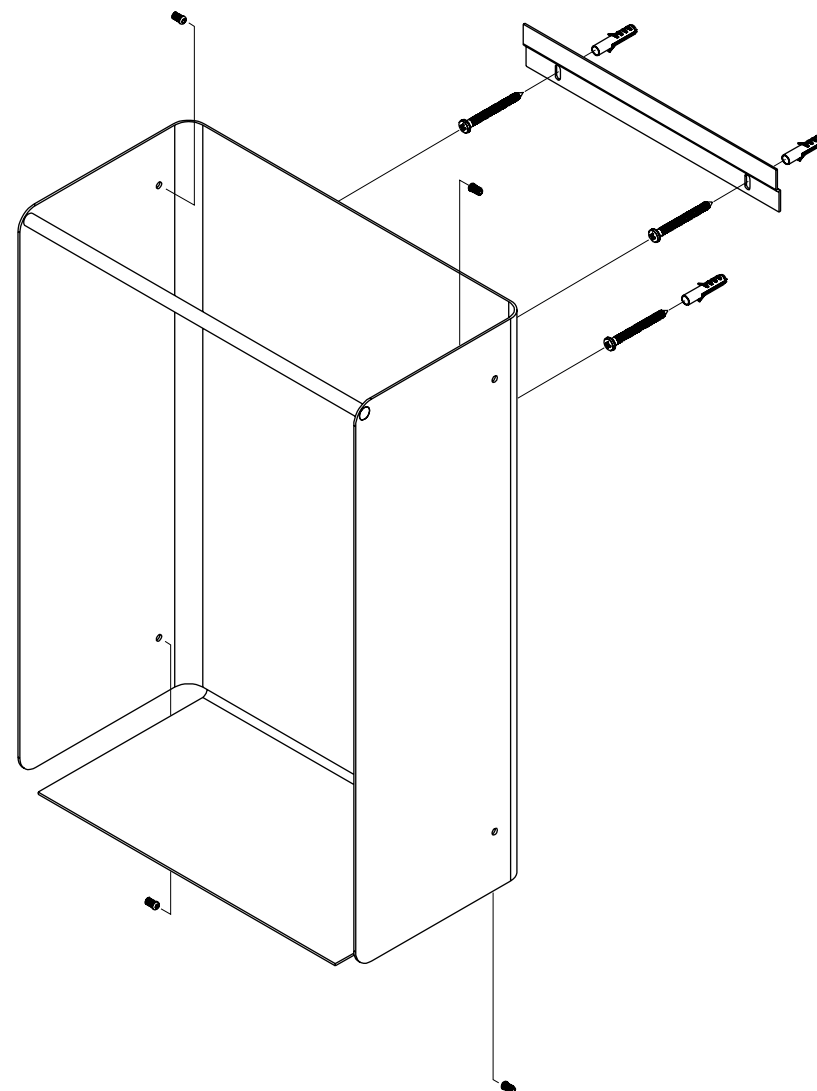
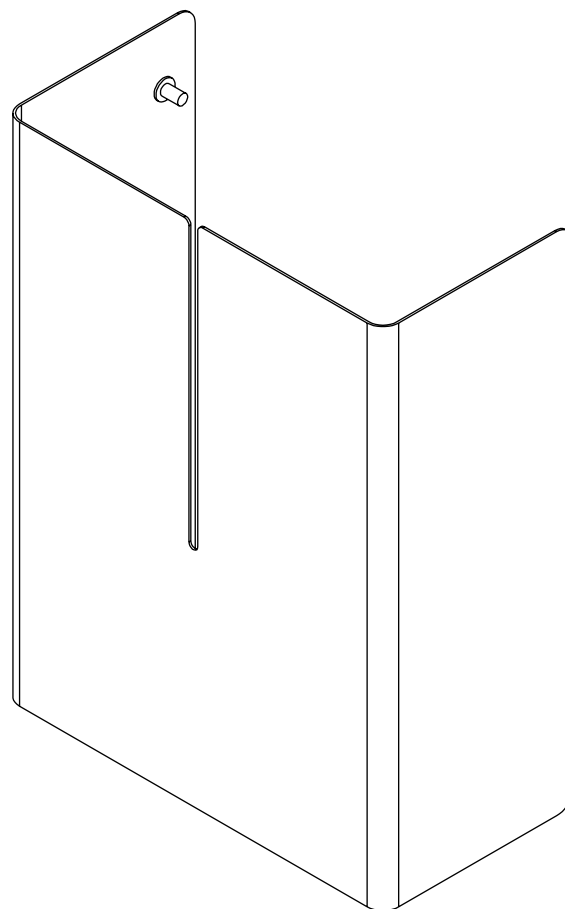
Bavne Allé 6E  
DK-8370 Hadsten  
+45 8761 0032  
info@frost.dk

www.frost.dk

NOVA2 PAPER BIN  
N1945



PAPER BIN



3x



D6.0 - H30

(A)

3x



D8.1 - DB4.0 - L40

(B)