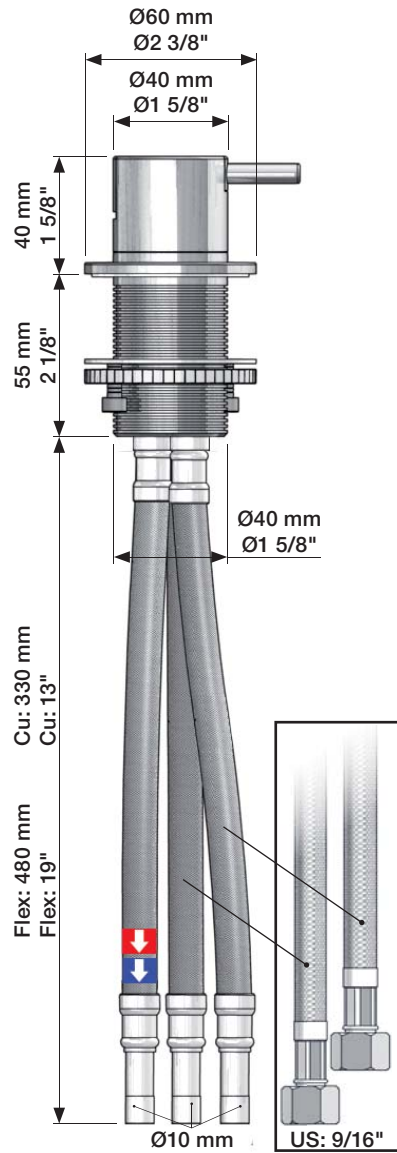
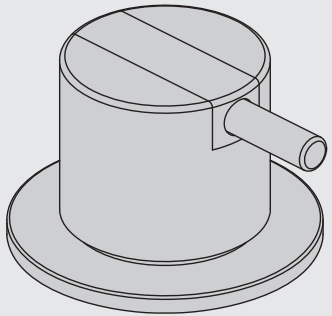


VOLA 500, 590, 500T1  
 VOLA 2500  
 VOLA SC1, SC3, SC5, SC7, SC9, SC10, SC12

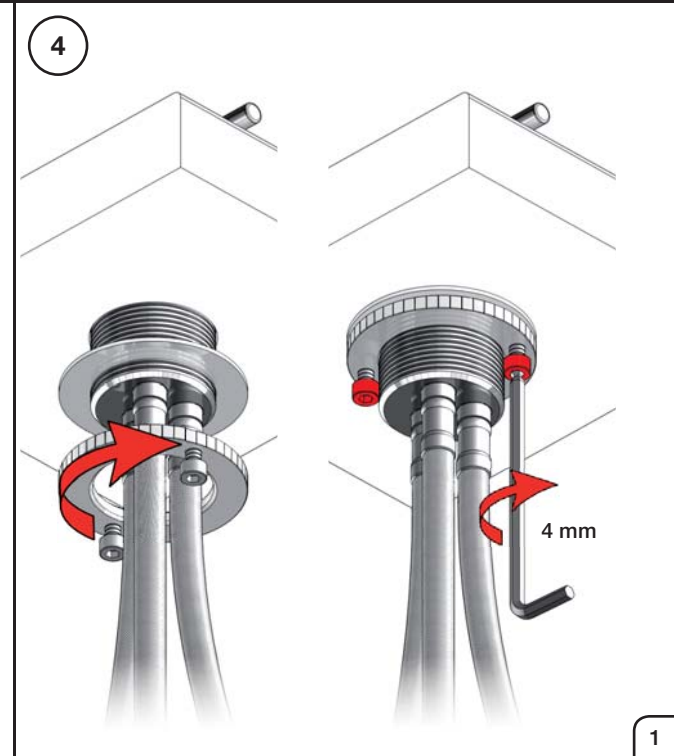
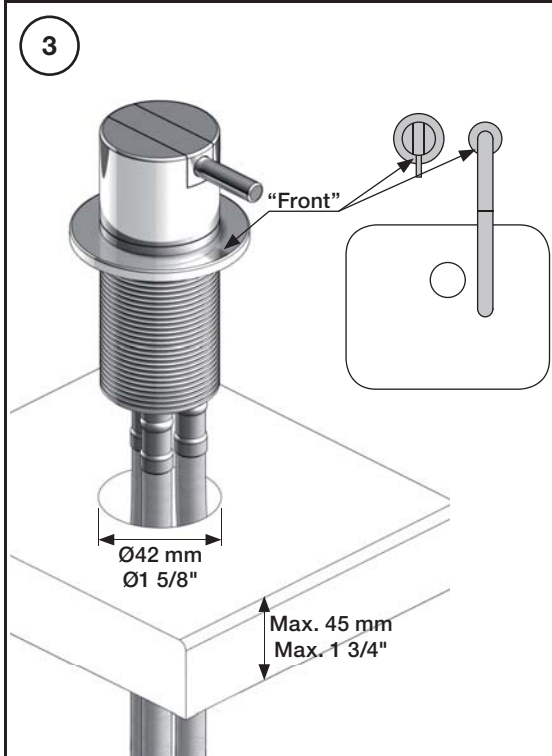
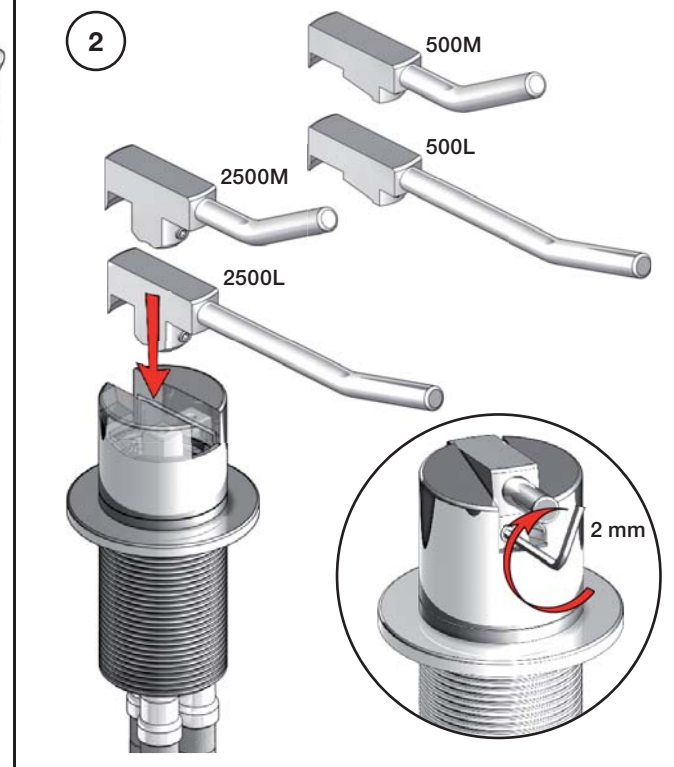
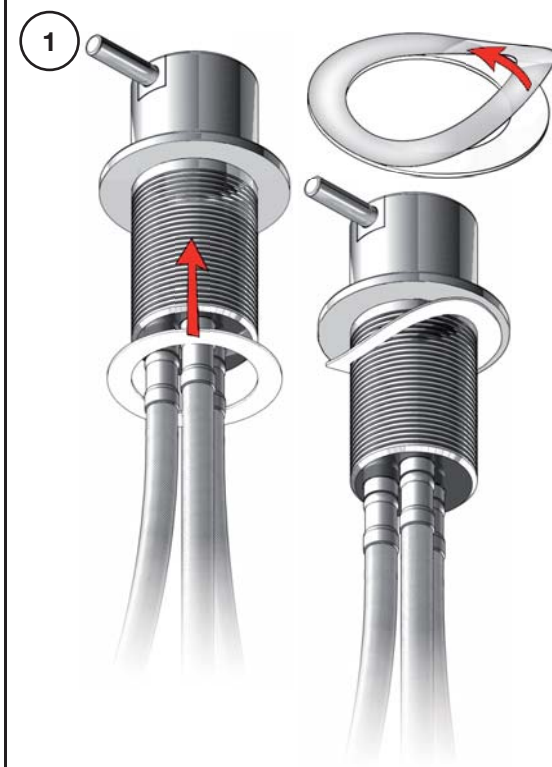
Fitting instruction  
 Montageanleitung  
 Monteringsvejledning  
 Monteringsvægledning  
 Montage hanleiding  
 Manuel de montage



**Data, 3 Bar:**

	l/min.	Gal/min.
500:	14,5	3.8
590:	9,0	2.4
500-T1:	11,0	2.9
2500:	18,7	4.9
SC1:	18,7	4.9
SC5, 7:	18,0	4.8
SC9:	11,0	2.9

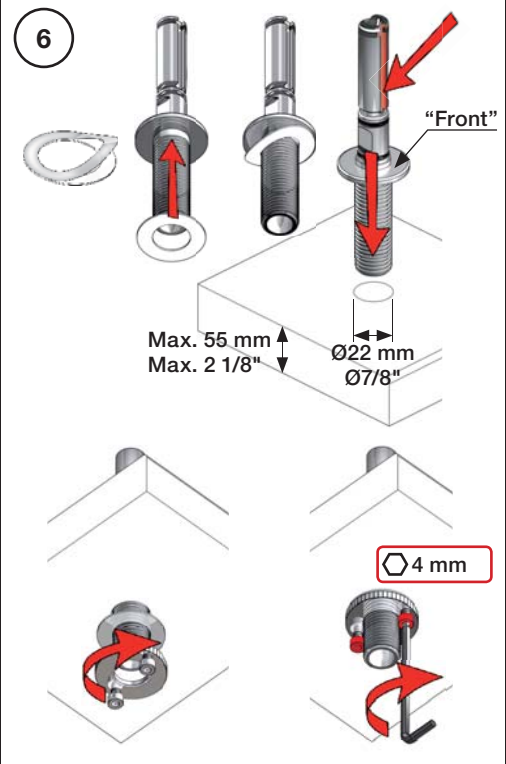
Max. 65°C, 150°F



www.vola.com  
 500 - 2500\_V7\_40999844



vola

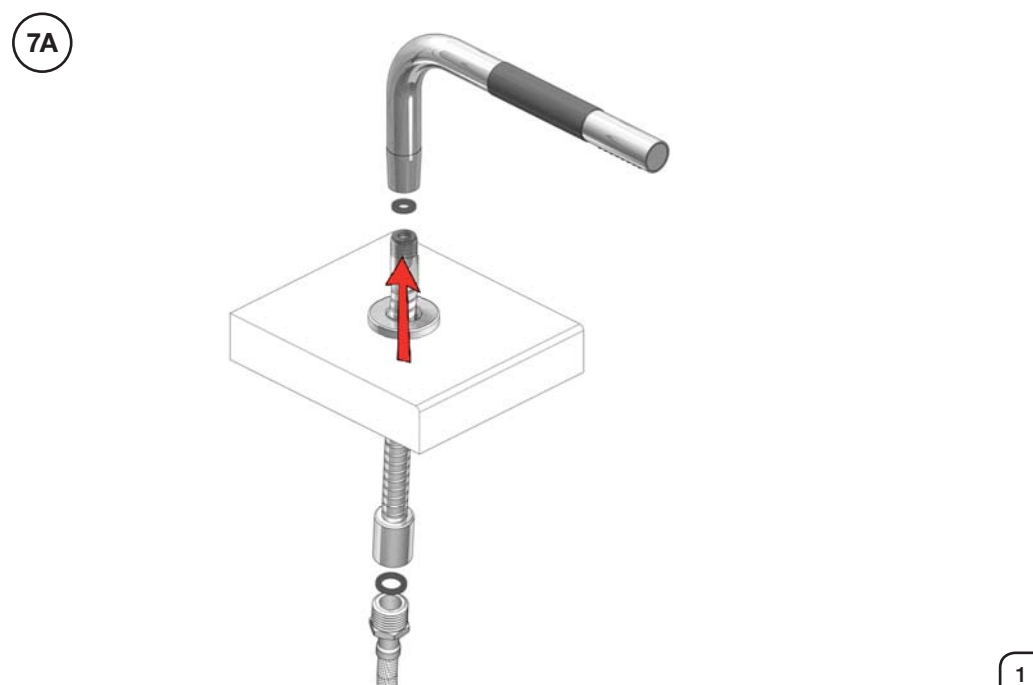
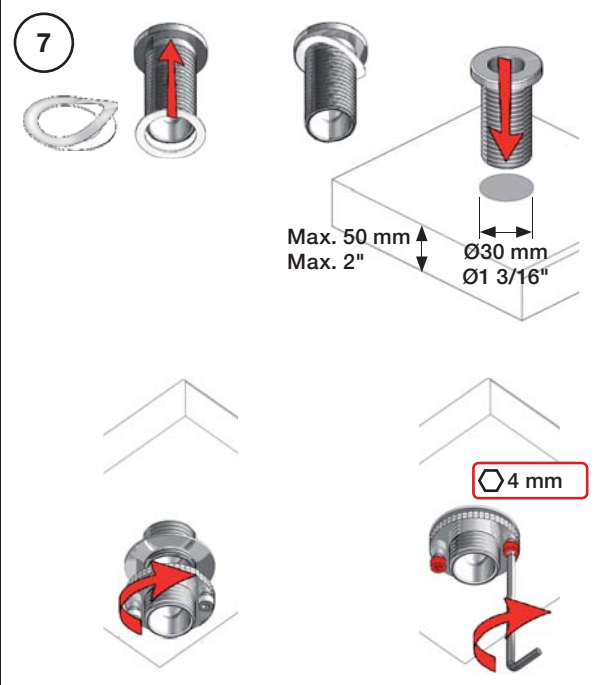
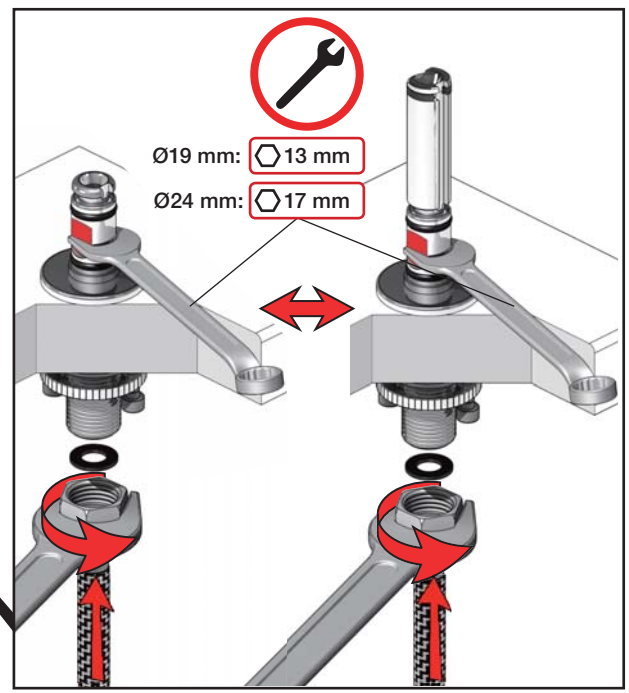
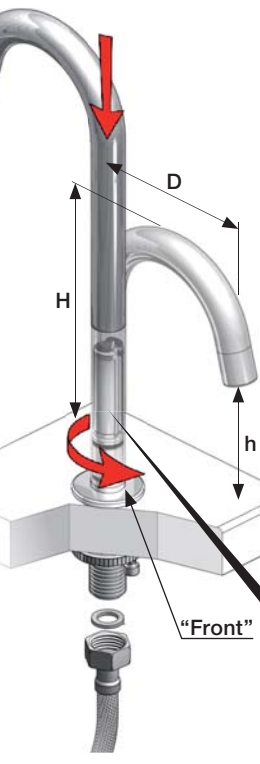


**6A**

mm:	H	D	h
090	210	200	145
090A	110	85	40
090B	185	100	114
090C	185	100	114
090D	220	200	130
090E	170	200	65
090G	185	140	105
090H	265	230	155
090I	325	230	216
090V	355	145	270

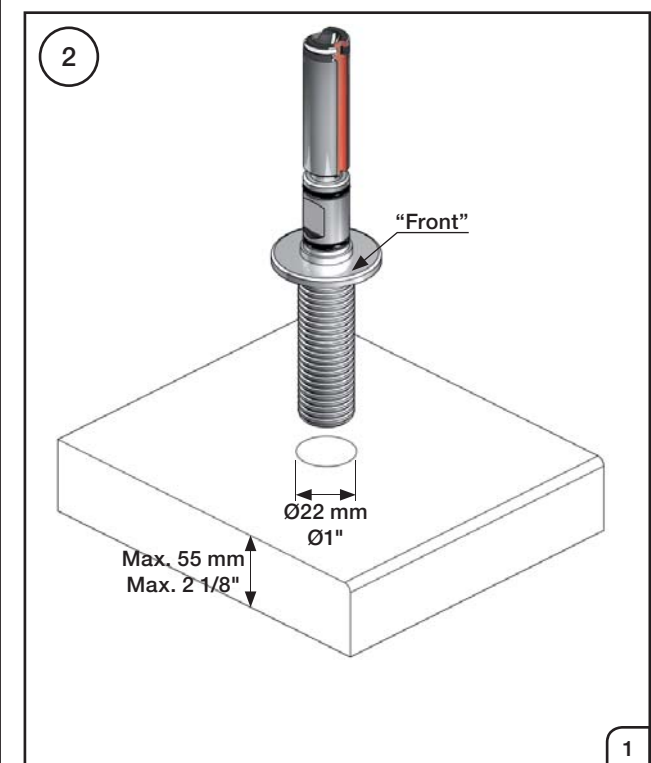
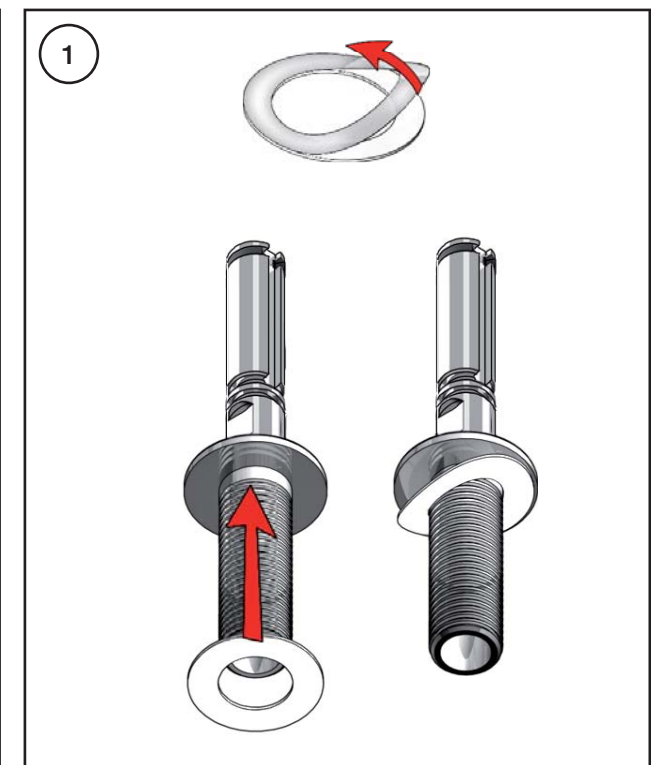
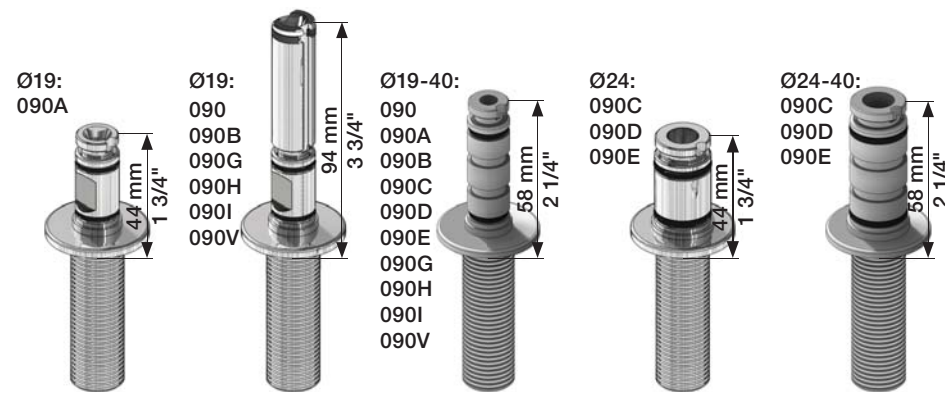
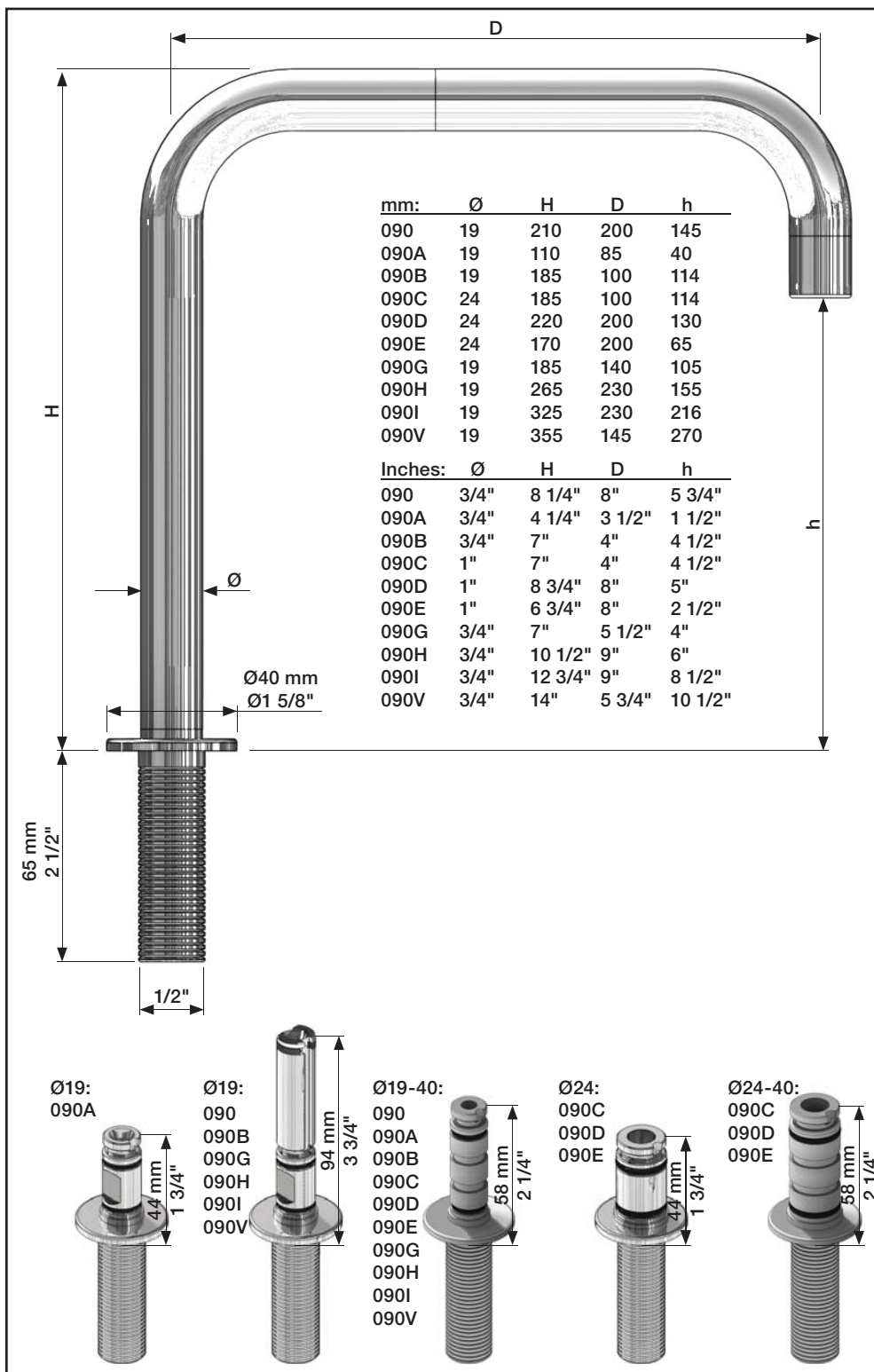
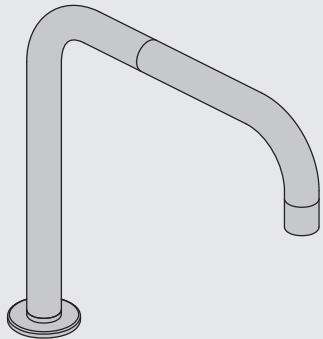
  

Inches:	H	D	h
090	8 1/2"	8"	5 3/4"
090A	4 1/4"	3 1/2"	1 1/2"
090B	7"	4"	4 1/2"
090C	7"	4"	4 1/2"
090D	8 3/4"	8"	5"
090E	6 3/4"	8"	2 1/2"
090G	7"	5 1/2"	4"
090H	10 1/2"	9"	6"
090I	12 3/4"	9"	8 1/2"
090V	14"	5 3/4"	10 1/2"

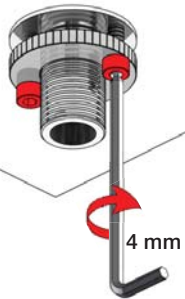
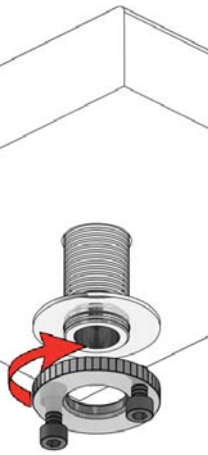


VOLA 090, 090A, 090B  
 VOLA 090C, 090D, 090E  
 VOLA 090G, 090H, 090I, 090V

Fitting instruction  
 Montageanleitung  
 Monteringsvejledning  
 Monteringsvægledning  
 Montage hanledning  
 Manuel de montage

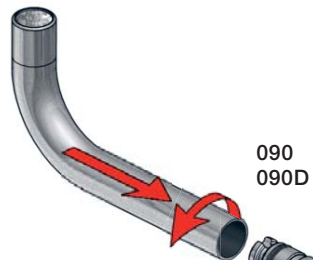


3

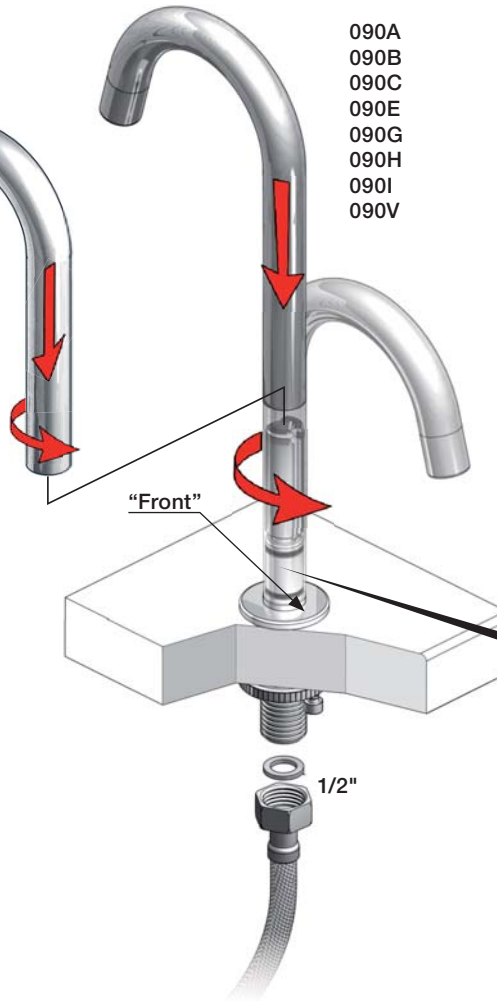


4 mm

4



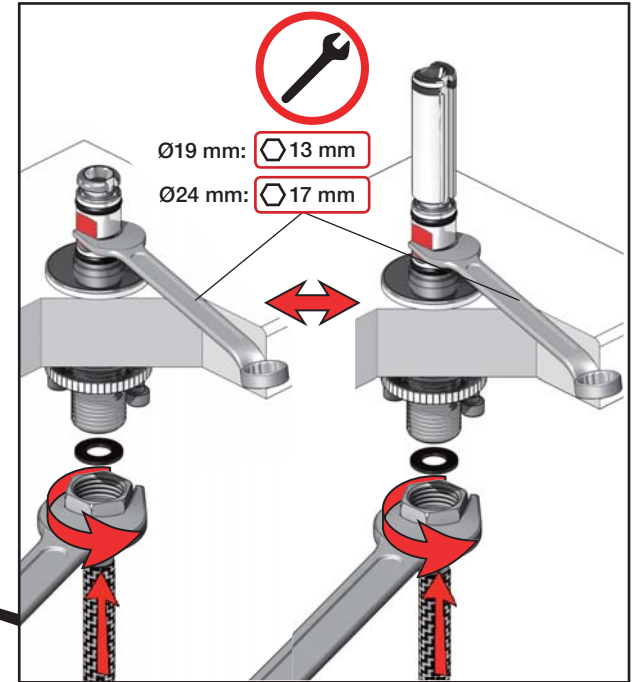
090  
090D



090A  
090B  
090C  
090E  
090G  
090H  
090I  
090V

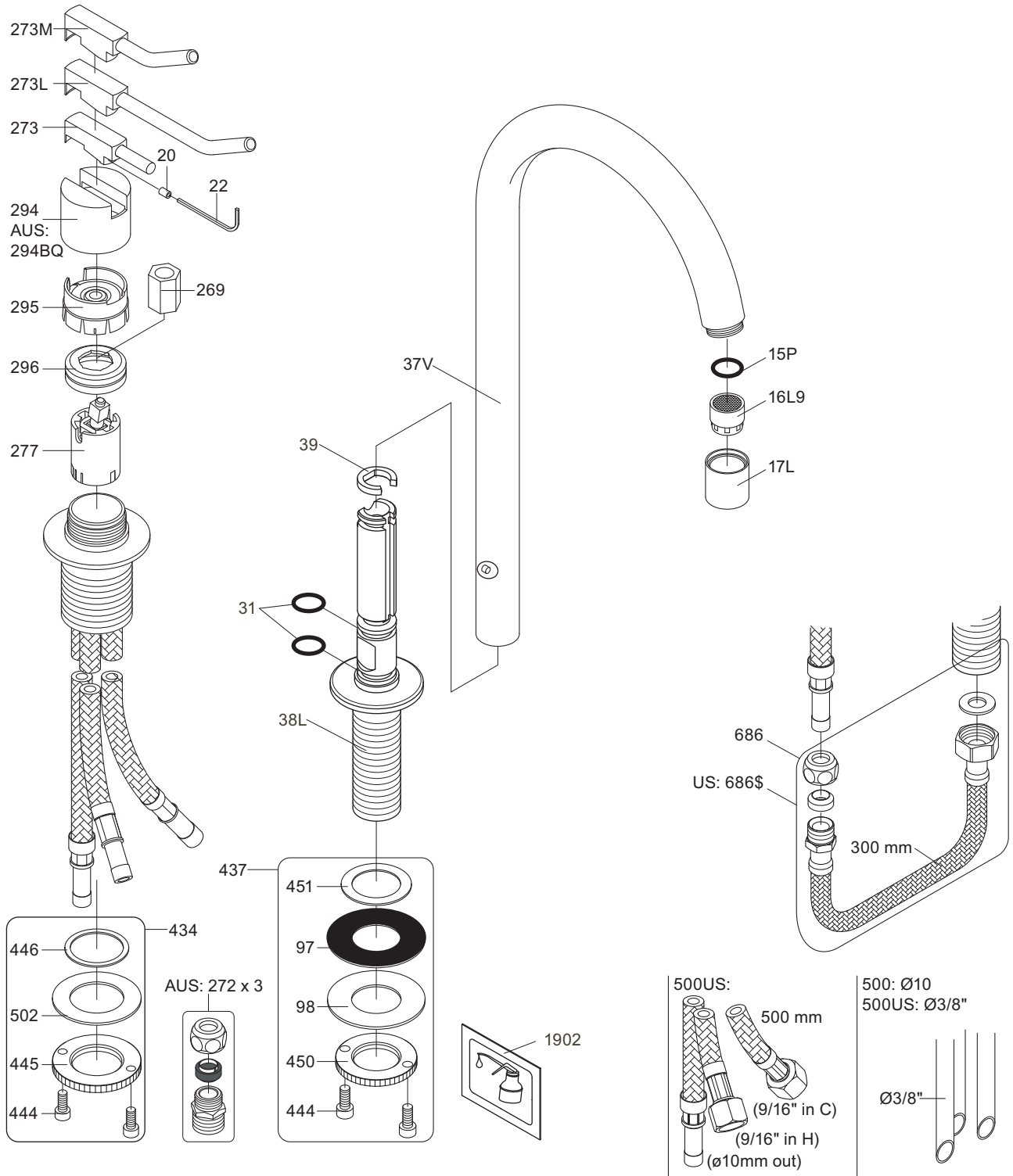
"Front"

1/2"

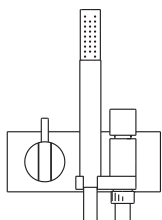


Ø19 mm: 13 mm

Ø24 mm: 17 mm



- VR277K: VR22, VR269, VR277
- VR297: VR20, VR22, VR269, VR273, VR277, VR294, VR295, VR296
- VR434: VR261, VR263, VR440, VR442, 2xVR444
- VR437: VR97, VR98, 2xVR444, VR450, VR451
- NR.10: VR20, VR22, VR273, VR294, VR295
- VR090: VR15P, VR16L9



**VOLA A/S**  
 Lunavej 2  
 DK-8700 Horsens  
 Tlf : + 45 7023 5500  
 Fax: + 45 7023 5511  
 sales@vola.com  
 www.vola.com

## VOLA 590V

Dato

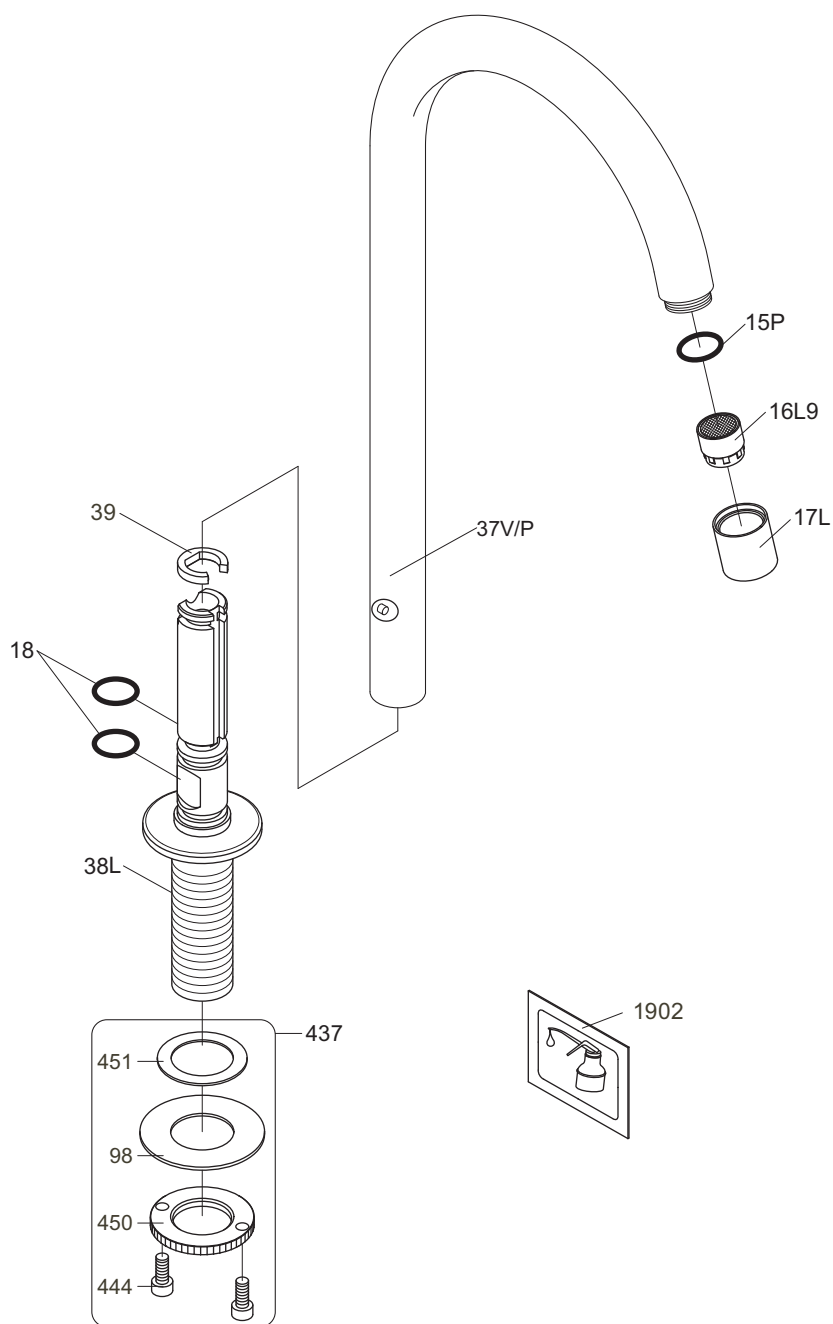
Apr. 12

Rev.

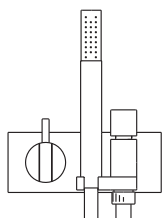
4

Blad

SB27.77



VR17L9K: VR15P, VR16L9, VR17L  
 VR437: VR98, 2xVR444, VR450, VR451



**VOLA A/S**  
 Lunavej 2  
 DK-8700 Horsens  
 Tlf : + 45 7023 5500  
 Fax: + 45 7023 5511  
 sales@vola.com  
 www.vola.com

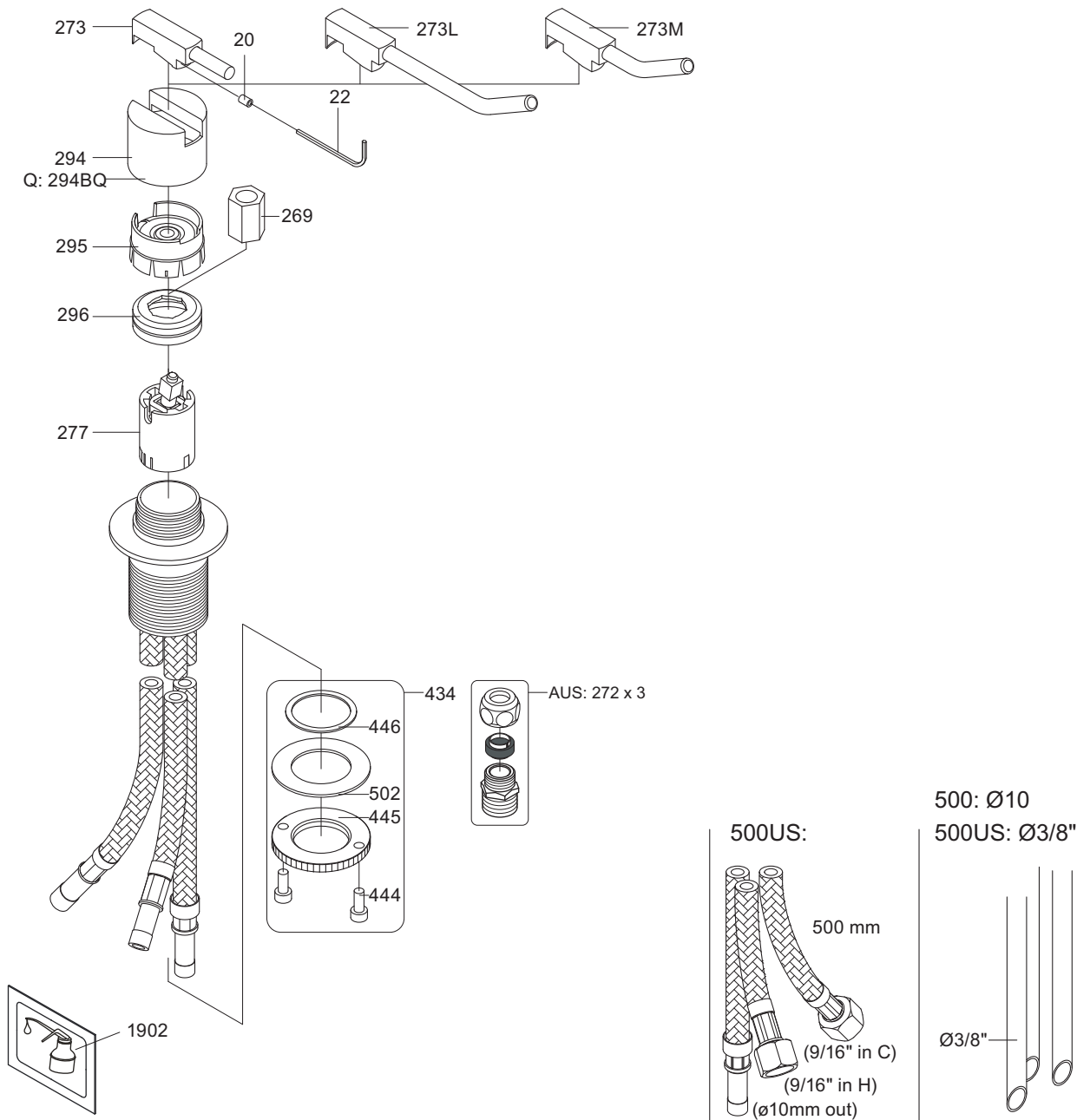
**VOLA 090V**

Dato  
 Apr. 12

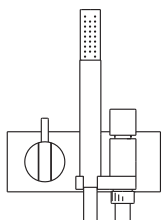
Rev.  
 3

Blad  
 SB 19.5

500:



- VR277K: VR22, VR269, VR277
- VR297: VR20, VR22, VR269, VR273, VR277, VR294, VR295, VR296
- VR434: 2xVR444, VR445, VR446, VR502
- NR.10: VR20, VR22, VR273, VR294, VR295



**VOLA A/S**  
 Lunavej 2  
 DK-8700 Horsens  
 Tlf : + 45 7023 5500  
 Fax: + 45 7023 5511  
 sales@vola.com  
 www.vola.com

**VOLA 500/M/L**

Dato

Mar. 11

Rev.

3

Blad

SB4.1