

Toilet brush holder

Base Collection

d line

PRODUCT DATA SHEET

ITEM NUMBER SURFACE
28.7061.02.100 Satin Stainless Steel

PRODUCT
Toilet brush holder

PICTURE



TENDER TEXT

Toilet brush holder, wall mounted, cc 70, Ø89x115x380 mm, satin finish, AISI 304 stainless steel grade.

PRODUCT SPECIFICATION

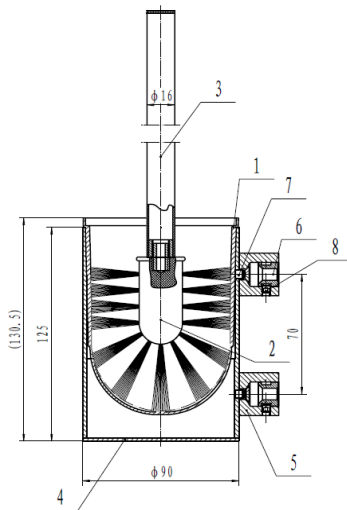
Dimensions: W:115 mm x H:380 mm x D:Ø89 mm

Material: Stainless steel AISI 304

Satin grain 320

Warranty for stainless steel (non movable) parts - 10 years

DRAWING



SPARE PARTS / ACCESSORIES:

-

MOUNTING:

Mounting bolts and dubels included

PACKING:

1 set in a bag, 10 bags per box

ISO-DRAWING

CERTIFICATES & AWARDS

PRODUCT CARE

d line Base collection products are produced in the highest quality stainless steel AISI 304. To sustain the unique d line finish appearance please follow the below instructions:

- Wash down the surfaces using soapy water or mild detergent
- Always thoroughly rinse off with clean water
- To complete the cleaning procedure dry/polish the surfaces with a soft dry cloth

Please do not use scouring powder, steel wool, chloride based detergents or other aggressive cleaning products as these may damage the surface.

If spots or corrosion appear on the surface it is not due to the stainless steel quality, but to impurities in the environment, aggressive conditions or improper or insufficient cleaning.