

# 01

furniture with washbasin washbasins  
bathtubs faucets lighting mirrors  
mobiliario con lavabo lavabos bañeras  
grifería iluminación espejos

2015

**COSMIC**

La **simplicidad** que consigue  
la máxima **funcionalidad**.

Reivindicación de líneas simples  
y puras para todo tipo de entornos.

*Simplicity with maximum  
functionality. A reappraisal  
of simple, pure lines for every environment.*

DESIGN BY COSMIC STUDIO  
**basic**



## Características

Lifetime durability / garantía 10 años.  
Sistema antivaho free fog system  
opcional. Test de 480 h en niebla salina  
(anticorrosión).

## Features

*Lifetime durability / 10 year guarantee.  
Optional anti-fog system. 480 h test in  
saline fog (anti-corrosion).*

## Caractéristiques

Lifetime durability / garantie 10 ans.  
Système anti-buée free fog system en  
option. Test de 480 h en brouillard salin  
(anti-corrosion).

## Caratteristiche

*Lifetime durability / garanzia 10 anni.  
Sistema anti-appannamento free fog system  
opzionale. Test di 480 ore in nebbia salina  
(anticorrosivo).*

## Características

Life time durability / garantia 10 anos.  
Sistema anti-vapor free fog system opcional.  
Teste de 480 h em névoa salina  
(anti-corrosão).

## Eigenschaften

*Lifetime durability / 10 Jahre garantie.  
Optionale heizfolie für spiegel free fog  
system. Test über 480 Std. In salzsprühtest  
(korrosionsschutz).*

## Kenmerken

Lifetime durability / 10 jaar garantie.  
Optional anti-damp systeem: free  
fog system. Zoutspreiproef op 480 h  
(roestwerend).



## Acabados

## Finishes

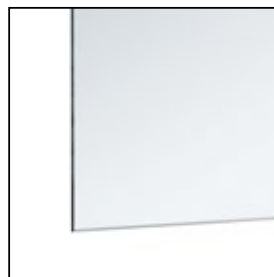
## Finitions

## Finiture

## Acabamentos

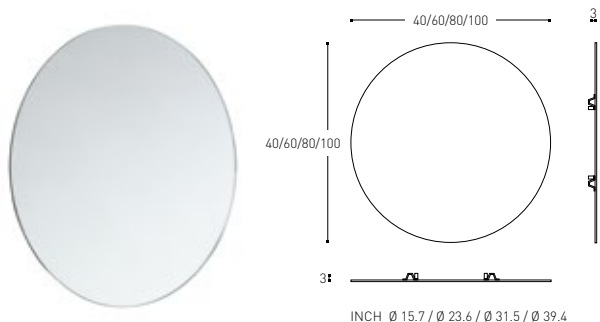
## Oberflächen

## Afwerkingen



## 81

Bisonet  
*Bisonet*  
Bisonet  
*Bisello*  
Bisonet  
*Bisonet*  
Bisonet



◆ ESPEJO  
MIRROR  
MIROIR  
SPECCHIO  
ESPELHO  
SPIEGEL

**281 81 40** Ø 40 CM / INCH 15.7

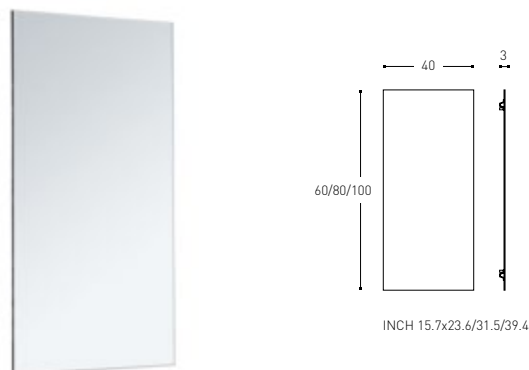
**281 81 41** Ø 60 CM / INCH 23.6

**281 81 42<sup>(1)</sup>** Ø 80 CM / INCH 31.5

**281 81 43<sup>(2)</sup>** Ø 100 CM / INCH 39.4

<sup>(1)</sup> RECOMENDAMOS PLACA ANTIVAH0 REF. 290 00 31  
WE RECOMMEND HEATING FOILS FOR MIRRORS REF. 290 00 31  
NOUS RECOMMANDONS PLAQUE ANTI-BUÉE REF. 290 00 31  
RACCOMANDIAMO LASTRA ANTI-APPANNAMENTO REF. 290 00 31  
RECOMENDAMOS PLACA DE DESEMBACIAMENTO REF. 290 00 31  
WIR EMPFEHLEN HEIZFOLIE FÜR SPIEGEL ARTIKELNR REF. 290 00 31  
WIJ ADVISEREN EEN VERWARMINGSPLAAT LOOR SPIEGELS REF. 290 00 31

<sup>(2)</sup> RECOMENDAMOS PLACA ANTIVAH0 REF. 290 00 32  
WE RECOMMEND HEATING FOILS FOR MIRRORS REF. 290 00 32  
NOUS RECOMMANDONS PLAQUE ANTI-BUÉE REF. 290 00 32  
RACCOMANDIAMO LASTRA ANTI-APPANNAMENTO REF. 290 00 32  
RECOMENDAMOS PLACA DE DESEMBACIAMENTO REF. 290 00 32  
WIR EMPFEHLEN HEIZFOLIE FÜR SPIEGEL ARTIKELNR REF. 290 00 32  
WIJ ADVISEREN EEN VERWARMINGSPLAAT LOOR SPIEGELS REF. 290 00 32



◆ ESPEJO  
MIRROR  
MIROIR  
SPECCHIO  
ESPELHO  
SPIEGEL

**281 81 33** 60 CM / INCH 23.6

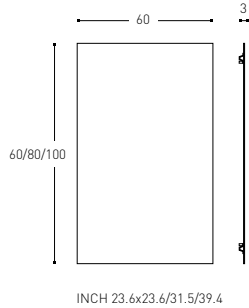
**281 81 44<sup>(1)</sup>** 80 CM / INCH 31.5

**281 81 45<sup>(2)</sup>** 100 CM / INCH 39.4

<sup>(1)</sup> RECOMENDAMOS PLACA ANTIVAH0 REF. 290 00 31  
WE RECOMMEND HEATING FOILS FOR MIRRORS REF. 290 00 31  
NOUS RECOMMANDONS PLAQUE ANTI-BUÉE REF. 290 00 31  
RACCOMANDIAMO LASTRA ANTI-APPANNAMENTO REF. 290 00 31  
RECOMENDAMOS PLACA DE DESEMBACIAMENTO REF. 290 00 31  
WIR EMPFEHLEN HEIZFOLIE FÜR SPIEGEL ARTIKELNR REF. 290 00 31  
WIJ ADVISEREN EEN VERWARMINGSPLAAT LOOR SPIEGELS REF. 290 00 31

<sup>(2)</sup> RECOMENDAMOS PLACA ANTIVAH0 REF. 290 00 32  
WE RECOMMEND HEATING FOILS FOR MIRRORS REF. 290 00 32  
NOUS RECOMMANDONS PLAQUE ANTI-BUÉE REF. 290 00 32  
RACCOMANDIAMO LASTRA ANTI-APPANNAMENTO REF. 290 00 32  
RECOMENDAMOS PLACA DE DESEMBACIAMENTO REF. 290 00 32  
WIR EMPFEHLEN HEIZFOLIE FÜR SPIEGEL ARTIKELNR REF. 290 00 32  
WIJ ADVISEREN EEN VERWARMINGSPLAAT LOOR SPIEGELS REF. 290 00 32

# basic



- ◆ ESPEJO
- MIRROR
- MIROIR
- SPECCHIO
- ESPELHO
- SPIEGEL
- SPIEGEL

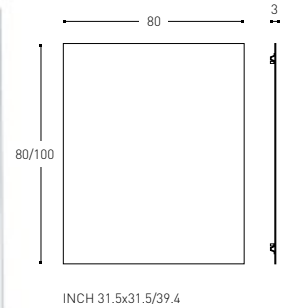
**281 81 46** 60 CM / INCH 23.6

**281 81 35** <sup>[2]</sup> 80 CM / INCH 31.5

**281 81 47** <sup>[3]</sup> 100 CM / INCH 39.4

[2] RECOMENDAMOS PLACA ANTIVAH0 REF. 290 00 32  
 WE RECOMMEND HEATING FOILS FOR MIRRORS REF. 290 00 32  
 NOUS RECOMMANDONS PLAQUE ANTI-BUÉE REF. 290 00 32  
 RACCOMANDIAMO LASTRA ANTI-APPANNAMENTO REF. 290 00 32  
 RECOMENDAMOS PLACA DE DESEMBACIAMENTO REF. 290 00 32  
 WIR EMPFEHLEN HEIZFOLIE FÜR SPIEGEL ARTIKELNR REF. 290 00 32  
 WIJ ADVISEREN EEN VERWARMINSPLAAT LOOR SPIEGELS REF. 290 00 32

[3] RECOMENDAMOS PLACA ANTIVAH0 REF. 290 00 33  
 WE RECOMMEND HEATING FOILS FOR MIRRORS REF. 290 00 33  
 NOUS RECOMMANDONS PLAQUE ANTI-BUÉE REF. 290 00 33  
 RACCOMANDIAMO LASTRA ANTI-APPANNAMENTO REF. 290 00 33  
 RECOMENDAMOS PLACA DE DESEMBACIAMENTO REF. 290 00 33  
 WIR EMPFEHLEN HEIZFOLIE FÜR SPIEGEL ARTIKELNR REF. 290 00 33  
 WIJ ADVISEREN EEN VERWARMINSPLAAT LOOR SPIEGELS REF. 290 00 33



- ◆ ESPEJO
- MIRROR
- MIROIR
- SPECCHIO
- ESPELHO
- SPIEGEL
- SPIEGEL

**281 81 48** <sup>[2]</sup> 80 CM / INCH 31.5

**281 81 49** <sup>[2]</sup> 100 CM / INCH 39.4

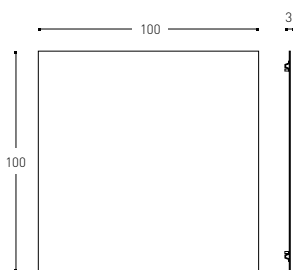
[2] RECOMENDAMOS PLACA ANTIVAH0 REF. 290 00 32  
 WE RECOMMEND HEATING FOILS FOR MIRRORS REF. 290 00 32  
 NOUS RECOMMANDONS PLAQUE ANTI-BUÉE REF. 290 00 32  
 RACCOMANDIAMO LASTRA ANTI-APPANNAMENTO REF. 290 00 32  
 RECOMENDAMOS PLACA DE DESEMBACIAMENTO REF. 290 00 32  
 WIR EMPFEHLEN HEIZFOLIE FÜR SPIEGEL ARTIKELNR REF. 290 00 32  
 WIJ ADVISEREN EEN VERWARMINSPLAAT LOOR SPIEGELS REF. 290 00 32





◆ ESPEJO  
MIRROR  
MIROIR  
SPECCHIO  
ESPELHO  
SPIEGEL  
SPIEGEL

**281 81 50** <sup>(4)</sup> 100 CM / INCH 39.4x39.4



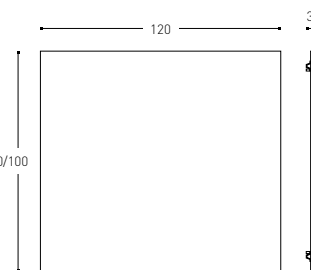
INCH 39.4x39.4

<sup>(4)</sup> RECOMENDAMOS PLACA ANTIVAH0 REF. 290 00 34  
WE RECOMMEND HEATING FOILS FOR MIRRORS REF. 290 00 34  
NOUS RECOMMANDONS PLAQUE ANTI-BUÉE REF. 290 00 34  
RACCOMANDIAMO LASTRA ANTI-APPANNAMENTO REF. 290 00 34  
RECOMENDAMOS PLACA DE DESEMBACIAMENTO REF. 290 00 34  
WIR EMPFEHLEN HEIZFOLIE FÜR SPIEGEL ARTIKELNR REF. 290 00 34  
WIJ ADVISEREN EEN VERWARMINSPLAAT LOOR SPIEGELS REF. 290 00 34



◆ ESPEJO  
MIRROR  
MIROIR  
SPECCHIO  
ESPELHO  
SPIEGEL  
SPIEGEL

**281 81 51** <sup>(4)</sup> 60 CM / INCH 23.6  
**281 81 52** <sup>(4)</sup> 80 CM / INCH 31.5  
**281 81 53** <sup>(4)</sup> 100 CM / INCH 39.4

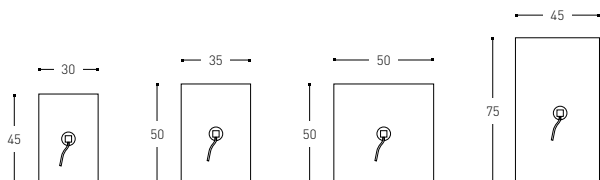


INCH 47.2x23.6/31.5/39.4

<sup>(4)</sup> RECOMENDAMOS PLACA ANTIVAH0 REF. 290 00 34  
WE RECOMMEND HEATING FOILS FOR MIRRORS REF. 290 00 34  
NOUS RECOMMANDONS PLAQUE ANTI-BUÉE REF. 290 00 34  
RACCOMANDIAMO LASTRA ANTI-APPANNAMENTO REF. 290 00 34  
RECOMENDAMOS PLACA DE DESEMBACIAMENTO REF. 290 00 34  
WIR EMPFEHLEN HEIZFOLIE FÜR SPIEGEL ARTIKELNR REF. 290 00 34  
WIJ ADVISEREN EEN VERWARMINSPLAAT LOOR SPIEGELS REF. 290 00 34

△ PLACA ANTIVAH0  
HEATING FOILS FOR MIRRORS  
PLAQUE ANTI-BUÉE  
LASTRA ANTI-APPANNAMENTO  
PLACA DE DESEMBACIAMENTO  
HEIZFOLIE FÜR SPIEGEL  
WARMTE FOLIE VOOR SPIEGELS

**290 00 31** 30x45 CM / INCH 11.8x17.7  
**290 00 32** 35x50 CM / INCH 13.8x19.7  
**290 00 33** 50x50 CM / INCH 19.7x19.7  
**290 00 34** 45x75 CM / INCH 17.7x29.5



# basic

recambios spare parts pièces détachées ricambi peças de reposição ersatzteile reserveonderdelen

**ACCESORIO SUJECIÓN ESPEJO / MIRROR MOUNTING SET / KIT FIXATION  
MIROIR / ACCESSORIO FISSAGGIO SPECCHIO / CONJUNTO FIXAÇÃO ESPELHO /  
SPIEGELFIXIERUNGSSET / MONTAGESET SPIEGEL**

330 90 00

RECAMBIO DE / SPARE PART OF / PIÈCES DÉTACHÉES DE / RICAMBIO DI /  
PEÇA DE REPOSIÇÃO DE / ERSATZTEIL FÜR / ONDERDEEL VAN  
2818133, 2818135, 2818140, 2818141, 2818142, 2818143, 2818144, 2818145,  
2818146, 2818147, 2818148, 2818149, 2818150, 2818151, 2818152, 2818153

---

**ART DIRECTION**  
**COSMIC STUDIO**  
**GRAPHIC DESIGN**  
**AT COMUNICACIÓ**

Ref. 3140447 / EN-ES

# COSMIC

**INDUSTRIAS COSMIC, S.A.**  
CERDANYA, 2  
POL. IND. LA BORDA  
P.O. BOX 184  
08140 CALDES DE MONTBUI BARCELONA SPAIN  
**CENTRAL OFFICE** TEL +34 938 654 277 FAX +34 938 654 264  
**INTERNATIONAL PHONE** TEL +34 938 664 101 FAX +34 938 654 264  
**SHOWROOM** CERDANYA, 2 08140 CALDES DE MONTBUI BARCELONA SPAIN

info@icosmic.com  
[www.icosmic.com](http://www.icosmic.com)



8