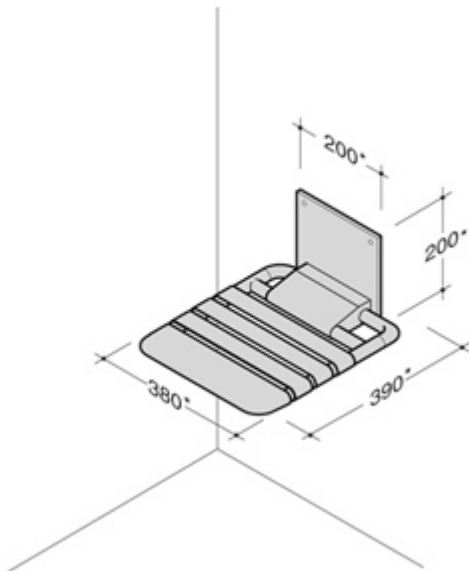




PROGRAM 400-SS

ART. 4CS.447.000B. .. [447-SS/B]

Lift-up shower seat constituted from bearing structure in tube AISI 316L Ø 32 mm. Width 380* mm, depth 390* mm, height 200* mm (* max outer dimensions).The lifting gear is made of nylon-covered metal. The wall-fixing plate is provided with a nylon interior plate. The seat is constituted by nylon strips. Fixing set as free outfit for concrete, natural stone, solid brick art. 400-VM 001/A. It does not need grounding.



Stainless Steel 